

Technical data as per UL/CSA, IEC 204, IEC 947-3, EN60 204, EN 60 947, VDE 0113

EMERGENCY / MAIN DISCONNECTS

DISCONNECTS to 600 AMPS

Switch Size		D05	D1	D2	D3	DK4	D4	D5	D6	D7
Rated interrupted current Iu	A									
switch insert/Ith under enclosure		16	25	40/32	63/50	80	100	125	200/160	250
APPROVALS CANADA, USA, UL	600VAC max.,									
General use	3 phase ~ A	16	25	40	63	80	100	125	200	250
Motor 3-phase	208V hp	3	5	5	10	15	15	15	30	40
	240V hp	3	5	7.5	10	20	20	25	40	50
	480V hp	7.5	7.5	15	25	40	40	50	75	100
	600V hp	7.5	7.5	15	30	50	50	50	50	60
Motor 1-phase	120V hp	1/2	1	1.5	3	3	3	3		
	240V hp	1 1/2	2	3	5	10	10	10		
Pilot Duty - Auxiliary switch UL/CSA	A600	A600	A600	A600	A600	A600	A600	A600	A600	A600
Rated insulating voltage III/ 3 EN 60 947	Ui V	690	690	690	690	690	690	690	690	690
Rated impulse voltage rigidity III/ 3 EN 60 947	Uimp. kV	6	6	6	6	6	6	6	6	6
Connectable Cross Sections single resp. multi-strand	mm ²	1-4	1-4	2.5-16	2.5-16	4-50	4-50	4-50	35-185	35-185
Fine wire with core end bush (DIN 46 228)	mm ²	0.75-2.5	0.75-2.5	1.5-16	1.5-16	4-35	4-35	4-35	35-120	35-120
For enclosure execution	mm ²	5 x4	5 x4	5 x4	5 x10	-	5 x 16 4 x 25	4 x 50	4 x 70	4 x 185
Short-circuit protection, fusible cut-out (gL)	A max.	35	35	50	63	80	100	125	200	250
Requirements for isolators complied with up to	V ~	500	500	690	690	690	690	690	690	690
Switching capacity										
AC-21A/B Load break switches Rated operating current Ie	A	16	25	40/32	63/50	80	100/80 ¹⁾	125	200/160	250
Rated operating voltage Ue	V ~	690	690	690	690	690	690	690	690	690
AC-23A/B Motor switches (main switches)	380..440V, 3 ~kW	7.5	7.5	15	22	30	37	45	90/75	132
AC-3 Motor switches, for operational switching	380..440V 3 ~kW	5.5	5.5	11	18.5	22	30	37	75	75
Auxiliary switches/Rated insulating voltage (III/3)	Ui V	690	690	690	690	690	690	690	690	690
Rated impulse voltage rigidity (III/3)	Uimp. kV	6	6	6	6	6	6	6	6	6
Thermal rated current	Ith A	12	12	12	12	12	12	12	12	12
AC-15 Rated operating current e at 220-010 / 380-440 / 500V	A	6/4/3	6/4/3	6/4/3	6/4/3	6/4/3	6/4/3	6/4/3	6/4/3	6/4/3
Short-circuit protection, fusible cut-out (gL)	A max.	16	16	16	16	16	16	16	16	16
Connectable cross sections single resp. multi strand	mm ²	0.5-2.5	0.5-2.5	0.5-2.5	0.5-2.5	0.5-2.5	0.5-2.5	0.5-2.5	0.5-2.5	0.5-2.5
Fine wire with core end bush (DIN 46 228)	mm ²	0.5-2.5	0.5-2.5	0.5-2.5	0.5-2.5	0.5-2.5	0.5-2.5	0.5-2.5	0.5-2.5	0.5-2.5
Wire ranges, AWG		16-10	16-10	12-4	12-4	10-40	10-40	10-40	2/350 mcm	2/350 mcm

¹⁾ See ordering pages

²⁾ With terminal lug

Main switches - Emergency-off switches - Maintenance switches

Rating Data 6 Pole D Disconnects with UV trip

DL8	DL9		R1	R2	R3	R4	R5	R6		S1	S2	S3	S4
400	630		25	32	50	63	115	150		25 ¹⁾	50 ¹⁾	80	150
-	-		-	-	-	-	-	-		-	-	-	-
-	-		-	-	-	-	-	-		-	-	-	-
-	-		-	-	-	-	-	-		-	-	-	-
-	-		-	-	-	-	-	-		-	-	-	-
A600	A600		A600	A600	A600	A600	A600	A600		A600	A600	A600	A600
1000	1000		690	690	690	690	690	690		690	690	690	690
8	8		6	6	6	6	6	6		6	6	6	6
2x240 ²⁾	2x240 ²⁾		-	-	-	-	-	-		1-4	2.5-10	4-16	10-50 ²⁾
-	-		-	-	-	-	-	-		1-2.5	1.5-6	4-16	-
4x240 ²⁾	2x4x240 ²⁾		5 x 4	5 x 6	5 x 10	5 x 16	4 x 35	4 x 50		-	-	-	-
400	630		35	35	63	80	125	160		25	50	80	160
1000	1000		500	500	690	690	690	690		690	690	690	690
400	630		25	32	50	63	115	150		25	50	80	150
690	690		690	690	690	690	690	690		690	500	500	500
200	200		7.5	15	22	30	55	75		7.5	15	37	37
-	-		5.5	11	15	22	37	55		7.5	15	37	37
500	500		690	690	690	690	690	690		500	500	500	-
4	4		6	6	6	6	6	6		4	4	4	-
25	25		12	12	12	12	12	12		16	16	16	-
9/6/5	9/6/5		6/4/3	6/4/3	6/4/3	6/4/3	6/4/3	6/4/3		6/4/3	6/4/3	6/4/3	-
25	25		16	16	16	16	16	16		16	16	16	-
0.75-4	0.75-4		0.5-2.5	0.5-2.5	0.5-2.5	0.5-2.5	0.5-2.5	0.5-2.5		0.5-2.5	0.5-2.5	0.5-2.5	-
0.75-25	0.75-2.5		0.5-2.5	0.5-2.5	0.5-2.5	0.5-2.5	0.5-2.5	0.5-2.5		0.5-2.5	0.5-2.5	0.5-2.5	-

¹⁾ See ordering pages

²⁾ With terminal lug

**SERIES D
PADLOCKABLE OPEN TYPE**

**BASE MOUNT WITH
SAFETY DOOR INTERLOCK** **16 - 250A**

600 VOLT ON - OFF



DISCONNECTS
to 600 AMPS

FRONT PANEL
DRILLING
D05 - 5
BY-1 Operator
22MM Hole
Mounting



SIZE UNIT	RATED CURRENT		WITH BE OPERATOR		WITH D OPERATOR		
	ITH AMPS	UL/CSA GENERAL PURPOSE (INDUCTIVE) AMPS	CATALOG NUMBER (1 PADLOCK)	LIST PRICE	CATALOG NUMBER (3 PADLOCK)	LIST PRICE	
3 POLE 8" Adjustable mounting depth as standard	D05	16	16	E D05-3BE 1 SD-*	\$61	E D05-3D 3SD-*	\$68
	D1	25	25	E D1-3BE 1 SD-*	66	E D1-3D 3 SD-*	73
	D2	40	40	E D2-3BE 3 SD-*	90	E D2-3D 3 SD-*	97
	D3	63	63	E D3-3BE 3 SD-*	121	E D3-3D 3 SD-*	128
	DK4	80	80	E DK4-3BE 4 SD-*	130	E DK4-3D 4 SD-*	150
	D4	100	100	E D4-3BE 4 SD-*	175	E D4-3D 4 SD-*	190
	D5	125	125	E D5-3BE 4 SD-*	220	E D5-3D 4 SD-*	230
	D6	200	200	-	-	E D6-3D 5 SD-*	550
D7	250	250	-	-	E D7-3D 5 SD-*	780	

DIMENSIONS:
See page ET 17.



BY-1 Operator

TYPE BY-1 OPERATOR HANDLE OPTION
To order, add **BY** in place of **BE** in catalog number. **Add \$10 List.** Includes safety door interlock. Use on D05...D5 **DEFEATABLE OPERATOR**

8" T DEPTH DIMENSION is standard on units sized **16-250Amp** with through the door safety interlock mechanism.

BY-1 ORDERED SEPARATELY \$35.00 List IP 67 Rated. Recommended for use on Type 1, 3R, 12, 4X Applications.
TYPE BY-1 Operator with Safety Door Interlock can be bypassed by qualified technician for servicing.

TO ORDER:
BY-1-*S1 = For sizes D05, D1, D2, D3
BY-1-*S2 = For sizes DK4, D4 & D5
(Replace asterick with color suffix)

Available in Black - SS and RG - Red/Yellow ONLY.
Ordering separately BY-1 includes patented misalign module, interlock key (for shaft) and bypass tool as standard.

4 POLE 8" Adjustable mounting depth as standard	D05	16	16	E D05-4BE 1 SD-*	\$64	E D05-4D 3 SD-*	\$71
	D1	25	25	E D1-4BE 1 SD-*	69	E D1-4D 3 SD-*	76
	D2	40	40	E D2-4BE 3 SD-*	102	E D2-4D 3 SD-*	109
	D3	63	63	E D3-4BE 3 SD-*	134	E D3-4D 3 SD-*	141
	DK4	80	80	E DK4-4BE 4 SD-*	165	E DK4-4D 4 SD-*	177
	D4	100	100	E D4-4BE 4 SD-*	205	E D4-4D 4 SD-*	215
	D5	125	125	E D5-4BE 4 SD-*	245	E D5-4D 4 SD-*	260
	D6	200	200	-	-	E D6-4D 5 SD-*	640
D7	250	250	-	-	E D7-4D 5 SD-*	870	

*** SUFFIX:** Add -RG for Red-Yellow operator handle.
Add -SS for Black handle "D" type only.
Add -SI for Black-Silver operator "BE" handle.

To substitute **NON-auto-alignment** safety door interlock for the auto-alignment style, change SD in part# to SDV. **Deduct:** D1-(-\$6) list
D2-(-\$14) list
D3-(-\$20) list

Catalog Number Code:

"SD" -Safety Door (Interlock Design)

"BE" -1 padlock type

"D" -3 padlock type

"BY-1" -1 padlock type

-last digit in part number indicates faceplate size.

Part # example: E D1-3BE 1 SD-RG; SD = safety door interlock design, BE = 1 padlock type, 1 = size 1 face plate, RG = Red-Yellow handle.

SERIES D BASE MOUNT

16 - 250A FRONT MOUNT


**DISCONNECTS
to 600 AMPS**

3 P O L E	WITH BE OPERATOR		WITH D OPERATOR		WITH BE OPERATOR		WITH D OPERATOR	
	CATALOG NUMBER	LIST PRICE	CATALOG NUMBER	LIST PRICE	CATALOG NUMBER	LIST PRICE	CATALOG NUMBER	LIST PRICE
	E D05-3BE 1 BM-*	\$43	E D05-3D 3BM-*	\$50	E D05-3BE 1 FM-*	\$40	E D05-3D 3FM-*	\$47
	E D1-3BE 1 BM-*	48	E D1-3D 3 BM-*	55	E D1-3BE 1 FM-*	45	E D1-3D 3 FM-*	52
	E D2-3BE 3 BM-*	72	E D2-3D 3 BM-*	79	E D2-3BE 3 FM-*	70	E D2-3D 3 FM-*	77
	E D3-3BE 3 BM-*	102	E D3-3D 3 BM-*	109	E D3-3BE 3 FM-*	99	E D3-3D 3 FM-*	107
	E DK4-3BE 4 BM-*	118	E DK4-3D 4 BM-*	130	E DK4-3BE 4 FM-*	116	E DK4-3D 4 FM-*	128
	E D4-3BE 4 BM-*	153	E D4-3D 4 BM-*	165	E D4-3BE 4 FM-*	150	E D4-3D 4 FM-*	163
	E D5-3BE 4 BM-*	194	E D5-3D 4 BM-*	205	E D5-3BE 4 FM-*	190	E D5-3D 4 FM-*	203
	-	-	E D6-3D 5 BM-*	490	-	-	E D6-3D 5 FM-*	490
	-	-	E D7-3D 5 BM-*	720	-	-	E D7-3D 5 FM-*	717

* **SUFFIX:** Add -RG for Red-Yellow operator handle.
Add -SS for Black handle "D" type only.
Add -SI for Black-Silver operator "BE" handle.

2 Pole (Size D1 Only)
Deduct \$10 from List Price
P/N Example:

Change 3 to 2: E D1-3BE (3 Pole)
 E D1-2BE (2 Pole)

DIMENSIONS: See pages ET 18-19

4 P O L E	E D05-4BE 1 BM-*	\$46	E D05-4D 3 BM-*	\$53	E D05-4BE 1 FM-*	\$43	E D05-4D 3 FM-*	\$50
	E D1-4BE 1 BM-*	51	E D1-4D 3 BM-*	58	E D1-4BE 1 FM-*	48	E D1-4D 3 FM-*	55
	E D2-4BE 3 BM-*	85	E D2-4D 3 BM-*	91	E D2-4BE 3 FM-*	82	E D2-4D 3 FM-*	89
	E D3-4BE 3 BM-*	115	E D3-4D 3 BM-*	122	E D3-4BE 3 FM-*	112	E D3-4D 3 FM-*	120
	E DK4-4BE 4 BM-*	144	E DK4-4D 4 BM-*	156	E DK4-4BE 4 FM-*	141	E DK4-4D 4 FM-*	153
	E D4-4BE 4 BM-*	180	E D4-4D 4 BM-*	195	E D4-4BE 4 FM-*	180	E D4-4D 4 FM-*	190
	E D5-4BE 4 BM-*	220	E D5-4D 4 BM-*	235	E D5-4BE 4 FM-*	220	E D5-4D 4 FM-*	230
	-	-	E D6-4D 5 BM-*	580	-	-	E D6-4D 5 FM-*	580
-	-	E D7-4D 5 BM-*	807	-	-	E D7-4D 5 FM-*	810	

SHAFT EXTENSIONS			
Switch Size	Shaft Length*	Catalog Number	List Price
D1, D2, D3	200mm (7.87 in)	ED-SE-5	\$15
D4, D5	155mm (6.10 in)	ED-SE-7	16
D6, D7	134mm (5.27 in)	ED-SE-11	17

* Field cut the shaft to length

Operators Only	List	Switch Size	*
E B-*	\$7		
E BE-RG-*	\$16	D1, D2, D3	S1
E BE-SI-*	\$16	D4, D5	S2
E D-RG-*	\$23	D6, D7	S3
E D-SS-*	\$23		

* Select Switch size:

Operator Price does not change

- For special Main Switch Legend, see page ET-10



SHAFT COUPLING ONLY			
SE-5	E-171479	\$4	List
SE-7	E-171484	\$6	
SE-11	E-171487	\$8	

SERIES D

25 - 250 AMP
PADLOCKABLE

600 VOLT
ON - OFF

SINGLE HOLE MOUNT

FRONT DRILLING
22mm, 7/8"

OPTION
30.5mm
Full size PB mount



DISCONNECTS
to 600 AMPS

3 POLE	SIZE UNIT	RATED CURRENT		WITH BE OPERATOR		WITH D OPERATOR	
		ITH AMPS	UL/CSA GENERAL PURPOSE (INDUCTIVE) AMPS	CATALOG NUMBER	LIST PRICE	CATALOG NUMBER	LIST PRICE
	D1	25	25	E D1-3BE 1 SH-*	\$50	E D1-3D 2 SH-*	\$57
	D2	40	40	E D2-3BE 2 SH-*	74	E D2-3D 2 SH-*	81
	D3	63	63	E D3-3BE 3 SH-*	103	E D3-3D 2 SH-*	111
	DK4	80	80	-	-	-	-
	D4	100	100	-	-	-	-
	D5	125	125	-	-	-	-

4 POLE	D1	25	25	E D1-4BE 1 SH-*	\$53	E D1-4D 2 SH-*	\$60
	D2	40	40	E D2-4BE 2 SH-*	86	E D2-4D 2 SH-*	93
	D3	63	63	E D3-4BE 2 SH-*	117	E D3-4D 2 SH*	124
	DK4	80	80	-	-	ADAPTOR RING	
	D4	100	100	-	-	To convert standard 22mm switch (7/8" mounting) to full size 30.5mm #ED-134353 \$0.80 list each	
	D5	125	125	-	-		

2 Pole (Size D1 Only)

Deduct \$10 from List Price

P/N Example: Change 3 to 2: E D1-3BE (3 Pole)

E D1-2BE (2 Pole)

*** SUFFIX:** Add -RG for Red-Yellow operator handle.
Add -SS for Black handle "D" type only.
Add -SI for Black-Silver operator "BE" handle.

DISCONNECT DESCRIPTION PLATE FITS ABOVE TYPE BE OR D OPERATORS

MAIN SWITCH

BRUSH SILVER WITH BLACK LETTERS
YELLOW WITH BLACK LETTERS

MAIN SWITCH

BLACK WITH WHITE LETTERS

CATALOG NUMBER

ED-NP-
ED-NP-
ED-NP-

48 X 16mm
(1.9" X 0.6")

-S1 \$6
-Y1 \$6
-B1 \$6

LIST PRICE

65 X 1mm
(2.5" X 0.8")

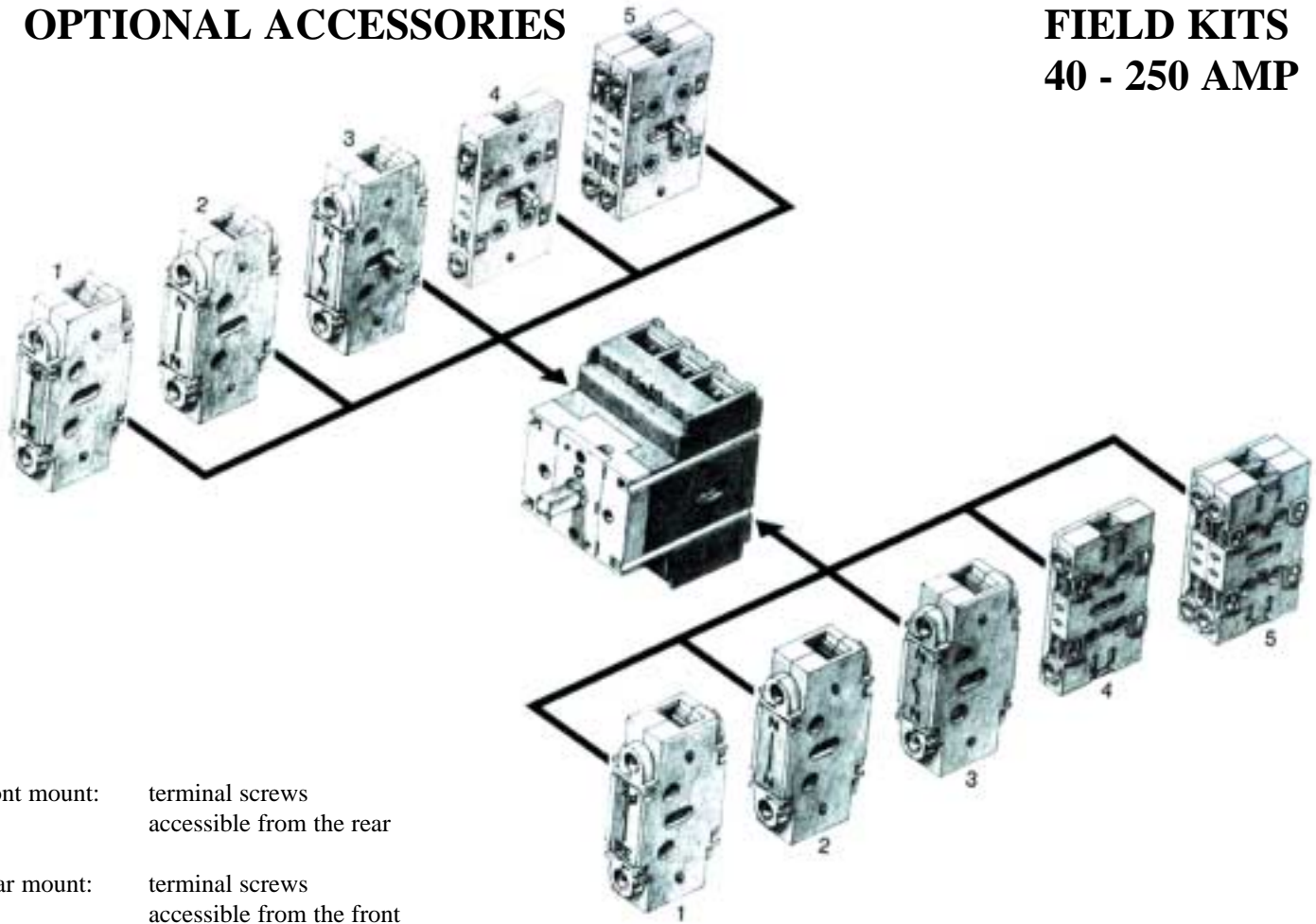
-S2 \$5
-Y2 \$5
-B2 \$5

Standard marking add suffix: Main Switch (-MS) OR Emergency off (-EO).
For special marking add \$6 List.
Example: #ED-NP-S1

Dimensions: See page ET21

OPTIONAL ACCESSORIES

FIELD KITS 40 - 250 AMP



Front mount: terminal screws accessible from the rear

Rear mount: terminal screws accessible from the front

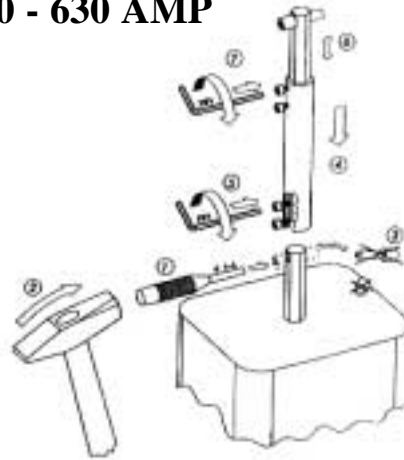
DISCONNECTS to 600 AMPS

*See page ET6 for Technical

Element		1	2	3	4		5		
Functional Diagram		Ground PE terminal	N terminal	Neutral Switch	Auxiliary Switch		Auxiliary Switch 12A Ith		
		PE	N	N	1NO	1NC	1NO + 1NC	2NO	2 NC
	L1-T1, L2-T2, L3-T3	0			13	11	13 21	13 23	11 21
	N-N				14	12	14 22	14 24	12 22
	13-14, 23-24								
	11-12, 21-22								
D2/D3	Front mounting F	ED-NPE23	ED-NPE21	ED-NPE25	ED-HF10	ED-HF01	ED-HF11	ED-HF20	ED-HF02
	List	\$9	9	14	12	12	25	25	25
DK4/ D4/D5	Rear mounting PF	ED-NPE24	ED-NPE22	ED-NPE26	ED-HC10	ED-HC01	ED-HC11	ED-HC20	ED-HC02
	List	\$9	9	14	12	12	25	25	25
D6/D7	Front mounting F	ED-NPE33	ED-NPE31	ED-NPE35	ED-HF10	ED-HF01	ED-HF11	ED-HF20	ED-HF02
	List	\$17	17	27	12	12	25	25	25
D6/D7	Rear mounting PF	ED-NPE34	ED-NPE32	ED-NPE36	ED-HC10	ED-HC01	ED-HC11	ED-HC20	ED-HC02
	List	\$17	17	27	12	12	25	25	25
D6/D7	Front mounting F	ED-NPE434	ED-NPE412	ED-NPE45	ED-HF10	ED-HF01	ED-HF11	ED-HF20	ED-HF02
	List	\$44	44	90	12	12	25	25	25
D6/D7	Rear mounting PF	ED-NPE434	ED-NPE412	ED-NPE46	ED-HC10	ED-HC01	ED-HC11	ED-HC20	ED-HC02
	List	\$44	44	90	12	12	25	25	25



400 - 630 AMP



SHAFT EXTENSION KITS			
	PART #	LENGTH L (mm)	LIST
D	206 406	300	\$137

DISCONNECTS
to 600 AMPS

International requirements: The type DL8 and DL9 disconnects comply with the requirements of DIN EB 60 204 part 1 / VDE 0113 section 5.3 for hand-operated main switches. According to EN 60 947-3 European Norm, the disconnects are also rated to comply with utilization category AC-23B.

Voltage rating: 1000 Isolation Volts, DL series switches comply with the isolator requirements according to VDE for 1000 V in 3-phase systems. The connection terminals have individual terminals for connection to lugs or bus. The double lever type handle DHV is equipped with an interlocking for 3 padlocks.

3-pole or 4-pole: The switches can also be supplied in 4-pole execution as switching neutral.

**Operating handle red -
Face plate yellow RG**



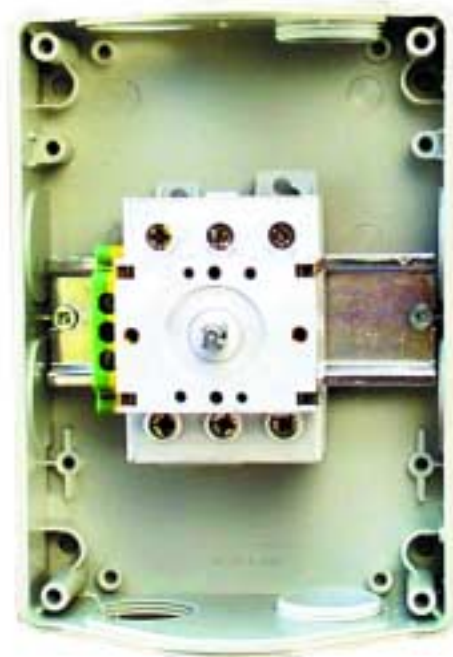
	Switch size	Thermal rated current I _{TH} A	Front Mounting F55		Base mounting with door coupling and door interlock PVF55	
			DHV			
			Catalog number	List	Catalog number	List
3-poles	DL8	400	E DL8-3F 5 FM-*	\$2130	E DL8-3F 5 BM-*	\$2130
	DL9	630	E DL9-3F 5 FM-*	\$2400	E DL9-3F 5 BM-*	\$2400
4-poles	DL8	400	E DL8-4F 5 FM-*	\$2610	E DL8-4F 5 BM-*	\$2610
	DL9	630	E DL9-4F 5 FM-*	\$2950	E DL9-4F 5 BM-*	\$2950

SUFFIX: Add -RG for Red-Yellow operator handle.
Add -SI for Black-Silver operator handle.

DIMENSIONS: See page ET 20.

Maintenance switches D and DL series
Construction features

690 VOLT
16 - 630 AMP



DISCONNECTS
to 600 AMPS

**Type D4 80 AMP disconnect
in Type S4 enclosure**

ENCLOSED DISCONNECTS

SERIES D, AND DL ARE LOAD MAKE, LOAD BREAK DISCONNECTS FOR USE AS MAIN AND PANEL ON-OFF DISCONNECTS, AND EMERGENCY (RED YELLOW) DISCONNECTS.

SERIES D, 3, 4 OR 6 POLE, 16 TO 250 AMP.

SERIES DL, 3 OR 4 POLE, 400 TO 630 AMP.

VOLTAGE RATING

ALL SERIES D DISCONNECTS ARE RATED 690 VOLT MAXIMUM, OPERATING VOLTAGE.

LOCK OUT / TAG OUT

OPERATOR HANDLES ARE TYPE "BE" FOR ONE LOCK-OFF OR TYPE D FOR 3 PADLOCKS.

ENCLOSURES

SERIES D STANDARD ENCLOSURES ARE ALL IP65, TYPE S4, OIL TIGHT, WATER TIGHT, HOSE DOWN DESIGN WITH KNOCKOUTS, OR TYPE NEMA 4X.

METAL NEMA 1 OR 12 ARE ALSO AVAILABLE.

NEMA IP 65 IS FOR INDUSTRIAL AND OUTDOOR APPLICATIONS AND IS CAPABLE OF HOSE TEST WATER TIGHTNESS. IP 65 IS USED INTERNATIONALLY FOR SIMILAR APPLICATIONS AS THE NEMA 4 OR 4X, WHEN NON-CORROSIVE DESIGN IS REQUIRED.

GROUND CONNECTION TERMINALS (PE) ARE STANDARD IN ALL ENCLOSURE SIZES. OPTIONAL ARE NEUTRAL CONNECTION (N) OR SWITCHING NEUTRAL (STANDARD 4 POLE DESIGN).

SERIES D

BASE MOUNT WITH SAFETY DOOR INTERLOCK

25 - 250 A

PADLOCKABLE OPEN TYPE 600 VOLT ON-OFF



With
Auto Alignment

FRONT PANEL DRILLING D1-7	RATED CURRENT		WITH BE OPERATOR		WITH D OPERATOR		
	SIZE UNIT	I TH AMPS	UL/CSA GENERAL PURPOSE (INDUCTIVE) AMPS	CATALOG NUMBER Suitable for 1 PADLOCK	LIST PRICE	CATALOG NUMBER Suitable for 3 PADLOCKS	LIST PRICE
See Dimensions Page ET17	6 POLE						
	D1	25	25	E D1-6BE 1 SD8-*	\$79	E D1-6D 3 SD8-*	\$86
	D2	40	40	E D2-6BE 3 SD8-*	191	E D2-6D 3 SD8-*	198
	D3	63	63	E D3-6BE 3 SD8-*	211	E D3-6D 3 SD8-*	218
	DK4	80	80	E DK4-6BE 4 SD8-*	283	E DK4-6D 4 SD8-*	298
	D4	100	100	E D4-6BE 4 SD8-*	365	E D4-6D 4 SD8-*	380
	D5	125	125	E D5-6BE 4 SD8-*	430	E D5-6D 4 SD8-*	445
	D6	200	200	-	-	E D6-6D 5 SD8-*	845
D7	250	250	-	-	E D7-6D 5 SD8-*	1180	

8" DEPTH DIMENSION is standard on sizes D05-D7 with through the door safety interlock mechanism.

* SUFFIX: Add -RG for Red-Yellow operator handle.
Add -SS for Black handle "D" type only.
Add -SI for Black-Silver operator "BE" handle.

DEDUCT For Non-Auto Alignment

To substitute **NON-Auto Alignment** safety door interlock for the auto-alignment style, change SD in part# to SDV.

Deduct: D1-(-\$6) list
D2-(-\$14) list
D3-(-\$20) list

Last digit in part number indicates face plate size.
Part# Example: E D1-6BE 1 SD8-RG; SD = safety door interlock design, BE = 1 padlock type, 1 = size 1 face plate, RG = Red-Yellow handle, 8 = 8" Depth Dimension, with shaft.

DIMENSIONS:
See page ET 17.

CATALOG NUMBER CODE:
"SD" - Safety Door (Interlock Design)
"BE" - 1 padlock type
"D" - 3 padlock type

Type BE, D:
IP 65: Dust Tight / Hose Test / Rain Tight
NEMA 1, 3R, 12, 4X (IP 67):
BY-1 is IP 67 and recommended for 4X applications (non corrosive areas).
Defeatable Operator for size D05 - D5
Replace "BE" with "BY", Add \$10 List



Base Mount - 6 Pole

Available from stock with handle attached to switch.



Front Mount - 6 Pole

Available from stock. Handle mounts on Enclosure Front with switch mounted inside cover.

Series D Switches, 3 Pole, 4 Pole and 5 Pole are also available from stock!

Electrical & Electronic Controls, Inc.
7 West Cross Street
Hawthorne, N.Y. 10532-1259
(914) 769-5000 • Fax (914) 769-3541
Email: eec@eecontrols.com

ON-OFF DISCONNECTS



S4 ENCLOSURE



S4 ENCLOSURE



NEMA 4X

DISCONNECTS
to 600 AMPS

ON-OFF	SIZE	rated current Ith A	current UL/CSA (INDUCTIVE)	WITH BE OPERATOR		WITH D OPERATOR			WITH BY OPERATOR		
				CATALOG NUMBER	LIST PRICE	CATALOG NUMBER	LIST PRICE	size of S4 enclosure	CATALOG NUMBER	LIST PRICE	
3-pole	D05	16	16	E D05-3BE-S4-*	\$73	E D05-3D-S4-*	\$81	T6/1	E D05-3BY-4X-*	\$138	
	D1	25	25	E D1-3BE-S4-*	78	E D1-3D-S4-*	86	T6/1	E D1-3BY-4X-*	143	
	D2	32	40	E D2-3BE-S4-*	116	E D2-3D-S4-*	123	T8/1	E D2-3BY-4X-*	175	
	D3	50	63	E D3-3BE-S4-*	182	E D3-3D-S4-*	189	T5/2	E D3-3BY-4X-*	212	
	D4	100	100	E D4-3BE-S4-*	245	E D4-3D-S4-*	260	T10/1	E D4-3BY-4X-*	270	
	D5	125	125	E D5-3BE-S4-*	320	E D5-3D-S4-*	335	T12/1	E D5-3BY-4X-*	345	
	D6	160	200	-	-	E D6-3D-S4-*	816	T14/1	E D6-3BY-4X-*	926	
	D7	250	250	-	-	E D7-3D-S4-*	1200	T16/1	E D7-3BY-4X-*	1700	
	DL8	400	-	-	-	-	-	METAL ENCLOSED 3 POLE			
DL9	630	-	-	-	-	-					
4-pole	D05	16	16	E D05-4BE-S4-*	\$75	E D05-4D-S4-*	\$82	NEMA 12		NEMA 1	
	D1	25	25	E D1-4BE-S4-*	80	E D1-4D-S4-*	87	\$119		\$96	
	D2	32	40	E D2-4BE-S4-*	121	E D2-4D-S4-*	128	124		101	
	D3	50	63	E D3-4BE-S4-*	177	E D3-4D-S4-*	184	150		122	
	D4	100	100	E D4-4BE-S4-*	270	E D4-4D-S4-*	285	199		163	
	D5	125	125	E D5-4BE-S4-*	350	E D5-4D-S4-*	360	220		182	
	D6	160	200	-	-	E D6-4D-S4-*	895	325		321	
	D7	250	250	-	-	E D7-4D-S4-*	1775	792		720	
	DL8	400	-	-	-	-	-	1094		1049	
DL9	630	-	-	-	-	-	3260		3260		
6-pole	D05	16	16	E D05-6BE-4X-*	\$158	E D05-6D-4X-*	\$165	TO ORDER For Nema 12 or Nema 1, replace 4X in the 3 pole part# with M12 or M1, respectively. P/N Example: Change E D1-3D-4X to: E D1-3D-M12 or E D1-3D-M1			
	D1	25	25	E D1-6BE-4X-*	163	E D1-6D-4X-*	170				
	D2	32	35	E D2-6BE-4X-*	217	E D2-6D-4X-*	225				
	D3	63	50	E D3-6BE-4X-*	377	E D3-6D-4X-*	384				
	D4	80	60	E D4-6BE-4X-*	608	E D4-6D-4X-*	615				
	D5	125	100	E D5-6BE-4X-*	796	E D5-6D-4X-*	803				
D6	150	100	-	-	E D6-6D-4X-*	1927	2 Pole (Size D1 Only) Deduct \$10 from List Price P/N Example: Change 3 to 2 E D1-2BE (2 pole)				

***SUFFIX:** Add - RG for Red-Yellow operator handle
Add -SS for Black handle "D" type only
Add -SI for Black-Silver operator "BE" handle

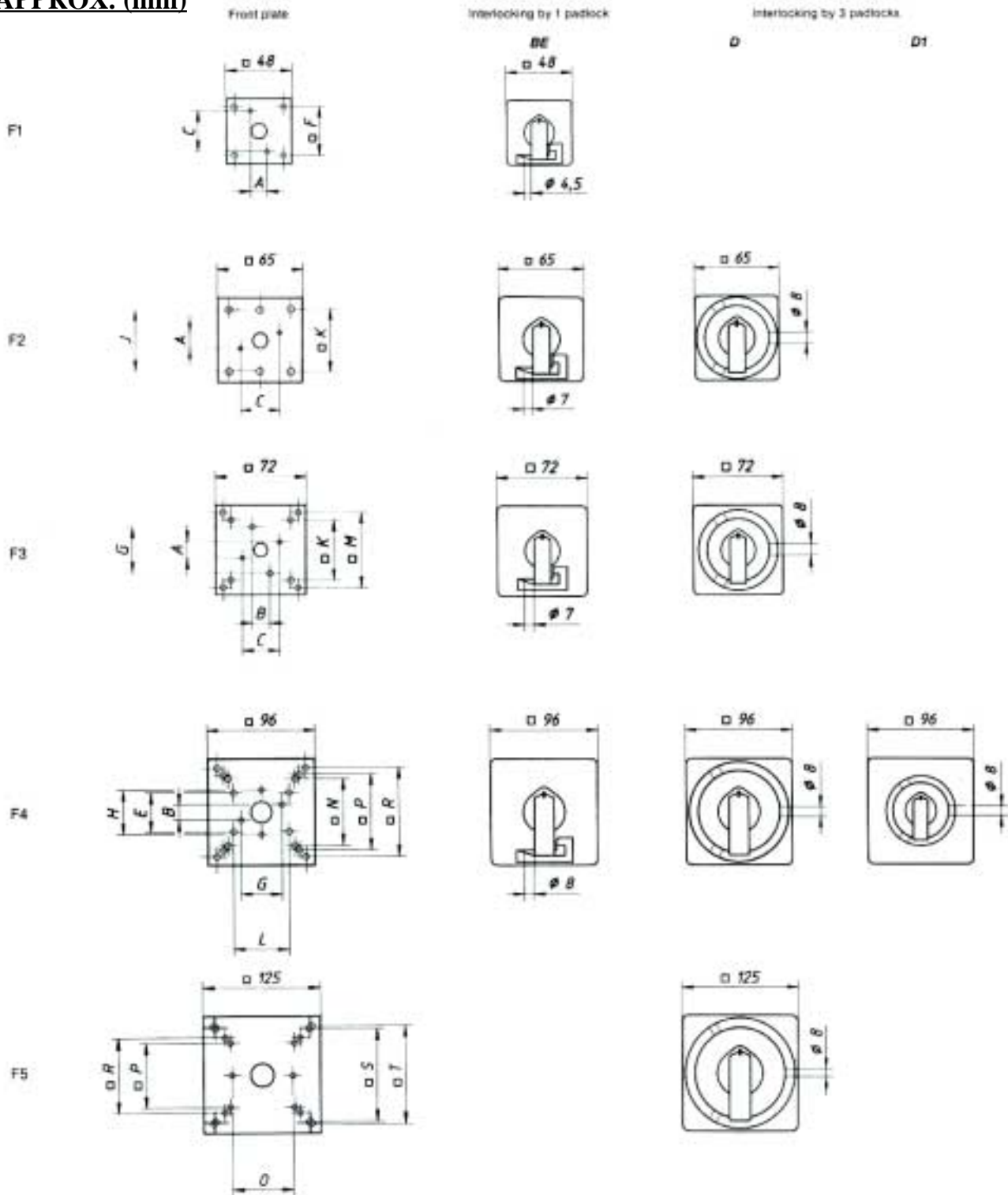
◆ NEMA 4X enclosure is UL/CSA per NEMA requirements.
Operator handle type BY is IP 67.

DIMENSIONS: See page ET 22

For "BY" Type Defeatable Operator, replace
"BE" with "BY" - Add \$10 List

DIMENSIONS,
APPROX. (mm)

DISCONNECTS
to 600 AMPS



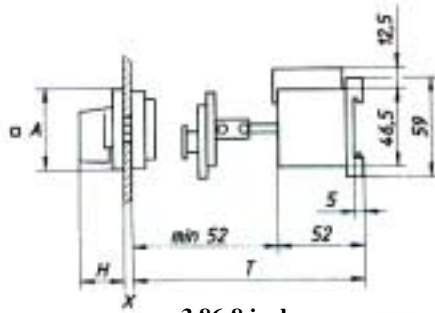
Dimension	12,2	14	30	30	35	36	37	40	47	48	50	60	60	65	68	80	100	104
Hole	3,7	4,2	3,7	4,2	5,2	4,2	4,2	4,2	4,2	4,2	5,2	4,2	5,2	5,2	5,2	5,2	6,5	6,5

BASE MOUNT With Safety Door Interlock
DIMENSIONS APPROX. (mm)

For page ET 8

3 pole dimensions

Size
D05/D1

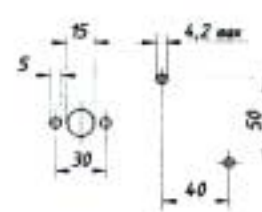


3.86-8 inches

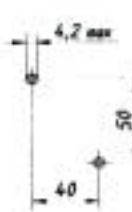
Front view



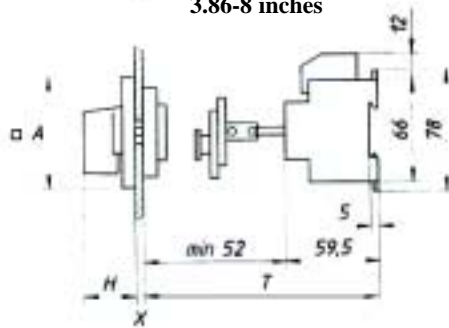
Drillings
Door



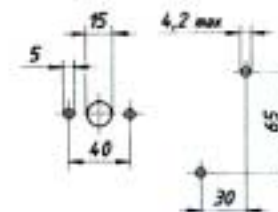
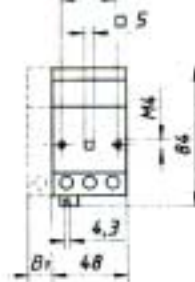
Rear



D2 / D3

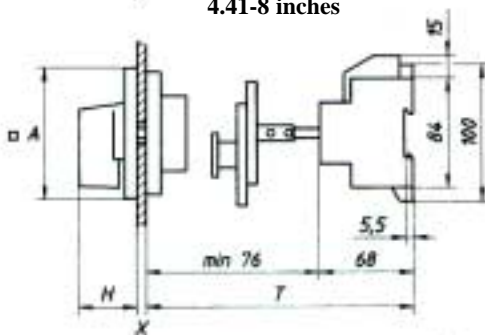


4.41-8 inches

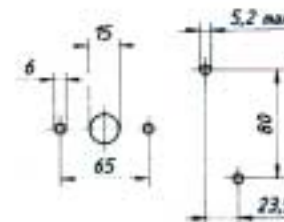
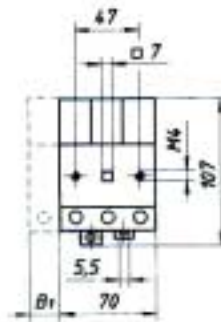


96

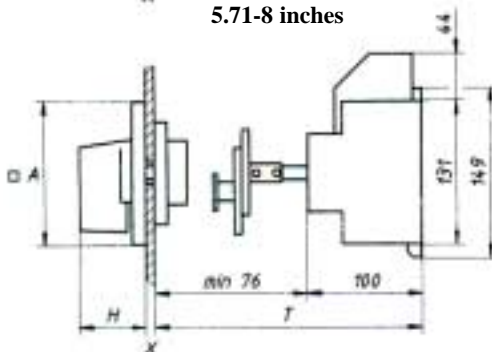
DK4 / D4 / D5



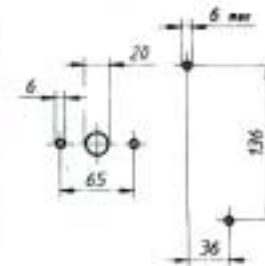
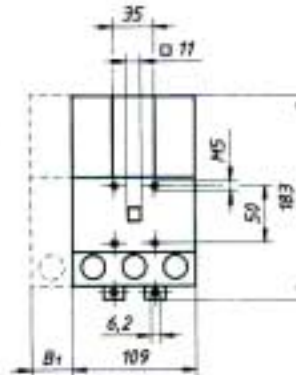
5.71-8 inches



D6 / D7



7.44-7.67 inches



Handle Type Size	BE		D		X _{max.}	T	/Element/ 3 4 5			B*
	A	H	A	H						
D05/D1	48	27	72	34	4	98-203	-	-	-	
D2 / D3	72	34	72	34	4	112-203	17	11	19	
DK4 / D4 / D5	96	44	96	44	4	145-203	24	11	19	
D6 / D7	-	-	125	60	4	189-195	36	11	19	

Coupling disc displaceable from the middle of the shaft

D1 - D3 displacement ± 4mm, DK4 - D7 ± 8mm

***SEE PAGE ET 11**

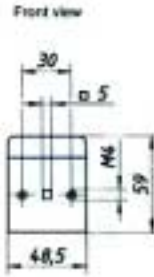
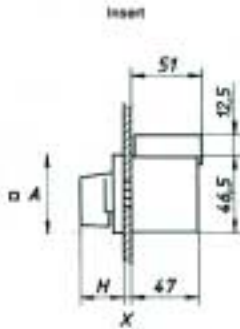
DISCONNECTS
to 600 AMPS

FRONT MOUNT DIMENSIONS APPROX. (mm)

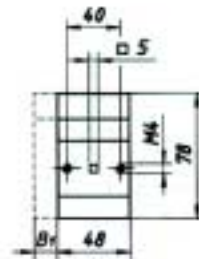
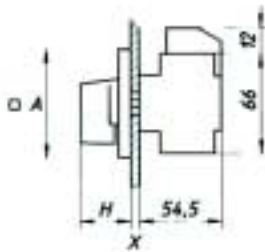
For page ET 9

DISCONNECTS
to 600 AMPS

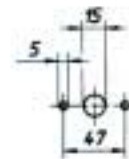
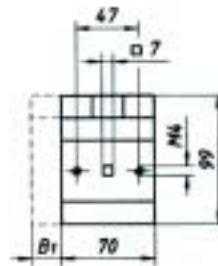
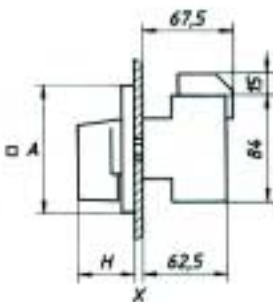
Size
D05/D1



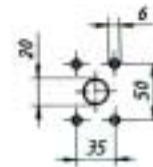
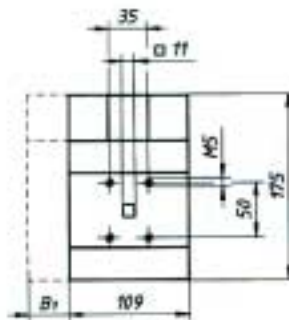
D2/D3



DK4/D4/D5



D6/D7

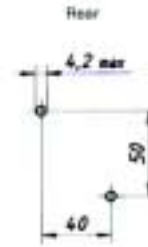
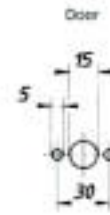
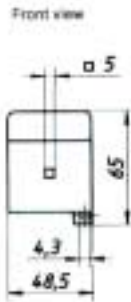
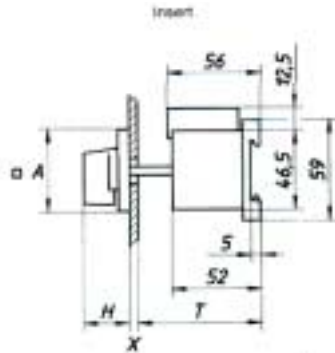


Handle Type	BE		D		X _{max.}	Element/		
	A	H	A	H		3	4	5
D05/D1	48	27	72	34	4	-	-	-
D2 / D3	72	34	72	34	4	17	11	19
DK4 / D4 / D5	96	44	96	44	4	24	11	19
D6 / D7	-	-	125	60	4	36	11	19

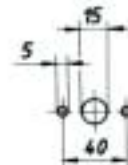
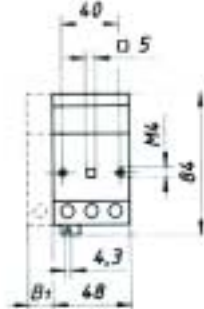
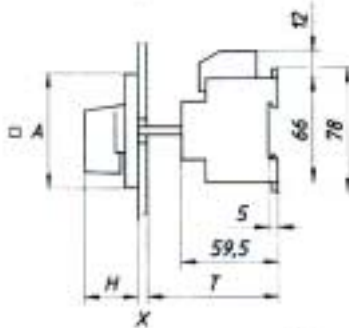
BASE MOUNT DIMENSIONS APPROX. (mm)

For page ET 9

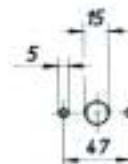
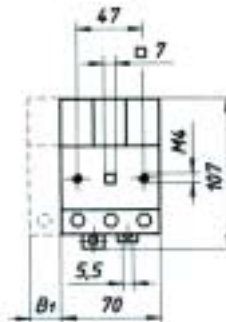
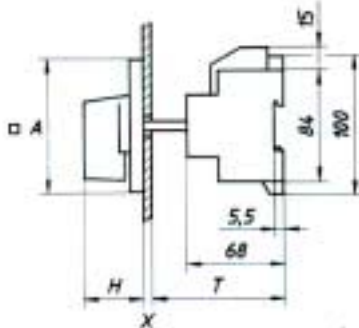
Size
D05/D1



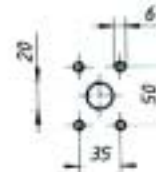
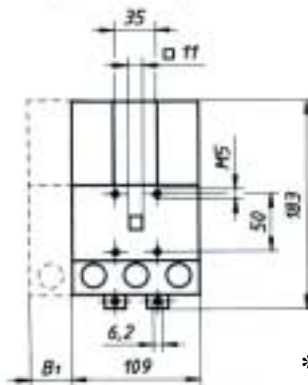
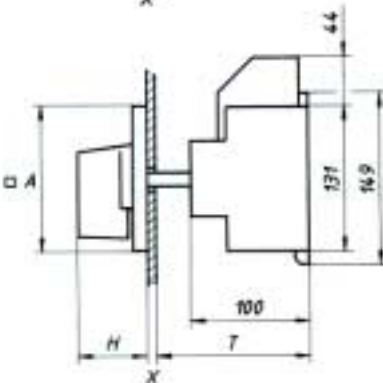
D2 / D3



DK4 / D4 / D5



D6 / D7

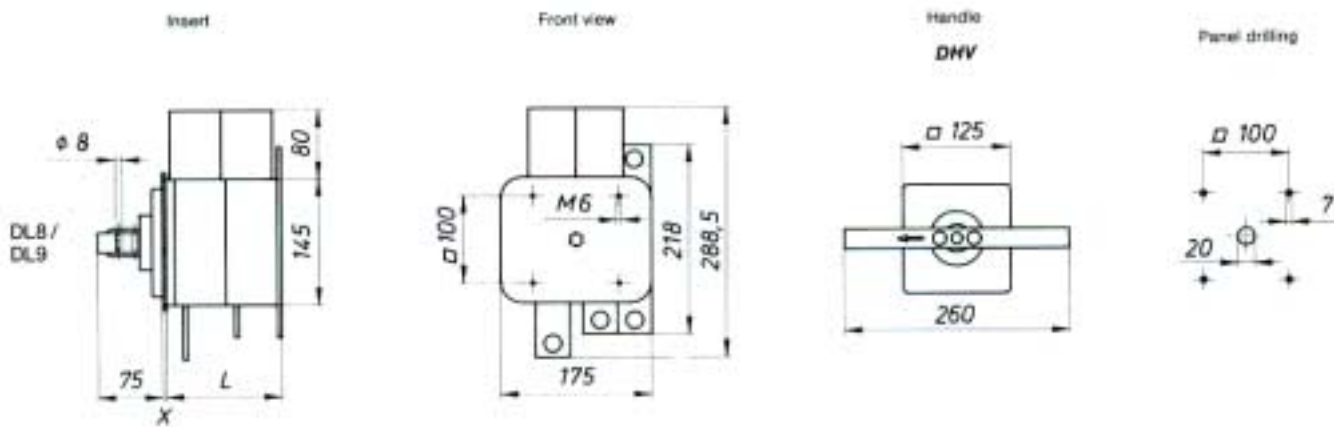


***SEE PAGE ET 11**

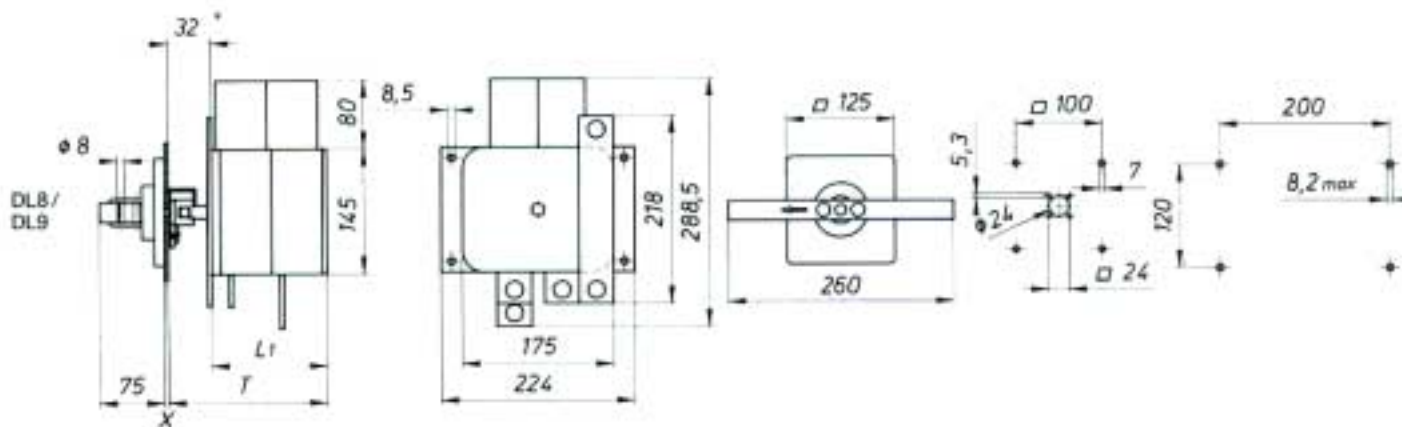
Handle Type Size	BE		D		X _{max.}	T	/Element/		
	A	H	A	H			3	4	5
D05/D1	48	27	72	34	4	98-104	-	-	-
D2 / D3	72	34	72	34	4	112-118	17	11	19
DK4 / D4 / D5	96	44	96	44	4	145-151	24	11	19
D6 / D7	-	-	125	60	4	189-195	36	11	19

FRONT MOUNT DIMENSIONS, APPROX. (mm)

DISCONNECTS
to 600 AMPS



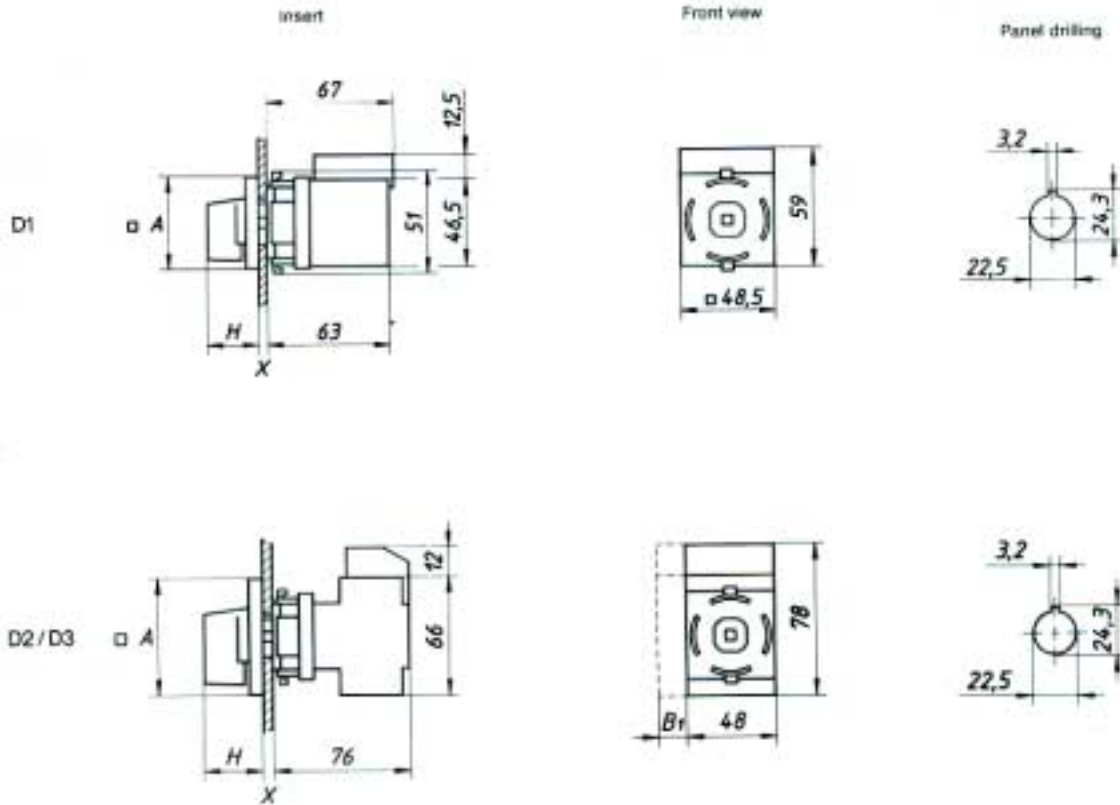
BASE MOUNT (BM)



Type	L		L ₁		T		X
	3polig / poles	4polig / poles	3polig / poles	4polig / poles	3polig / poles	4polig / poles	
DL8	160	219	133	192	172	233	1,5-4
DL9	160	219	133	192	172	231	1,5-4

* Dimensions min.

SINGLE HOLE MOUNT (SH) 22 (mm) drilling

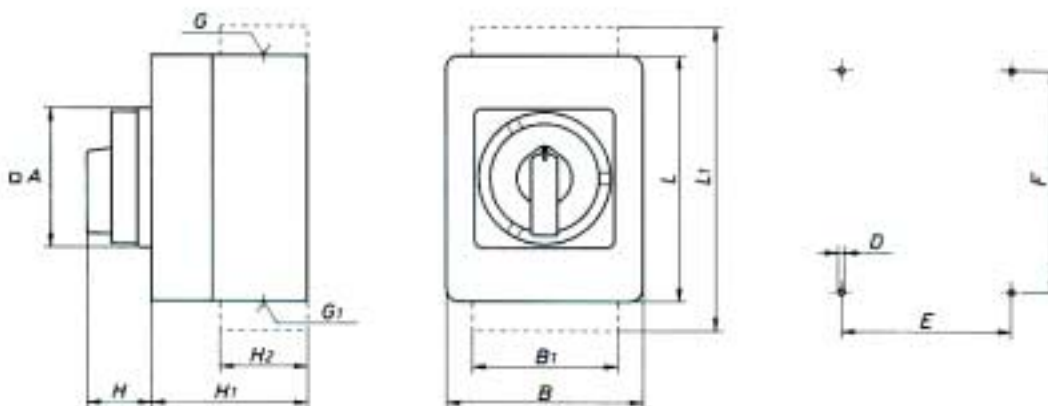


Type	BE		D		X _{max.}	Element/		
	A	H	A	H		3	4	5
D1	48	27	65	34	4	-	-	-
D2 / D3	65	34	65	34	4	17	11	19

* SEE PAGE ET 11

DIMENSIONS, APPROX. (mm)

For page ET 14



DISCONNECTS
to 600AMP

Size of enclosure	B	B ₁	L	L ₁	H ₁	H ₂	A	H	E	F	D	G	G ₁
T6/1	85	-	102	-	73	-	72	34	64/68	64/68	5,5	1 x Pg16	2 x Pg16
T8/1	91	-	121	-	75	-	72	34	76	106	4,5	2 x Pg16	2 x Pg16
T9/1	91	-	121	-	97	-	72	34	76	106	4,5	2 x Pg16	2 x Pg16
T5/1	114	-	162	-	86	-	72	34	98	126	5,3	2 x Pg16	2 x Pg16
T5/3	114	-	162	-	86	-	72	34	98	126	5,3	1 x Pg11, 2 x Pg16	1 x Pg11, 2 x Pg16
T5/2	114	-	162	-	86	-	72	34	98	126	5,3	2 x Pg21	2 x Pg21
T5/4	114	-	162	-	86	-	72	34	98	126	5,3	1 x Pg11, 2 x Pg21	1 x Pg11, 2 x Pg21
T20/3	114	-	162	-	106	-	72	34	98	126	5,3	1 x Pg11, 2 x Pg21	1 x Pg11, 2 x Pg21
T10/1	135	-	170	-	107	-	96	44	118	153	4,5	2 x Pg29	2 x Pg29
T11/1	135	-	170	-	145	-	96	44	118	153	4,5	2 x Pg29	2 x Pg29
T11/2	170	-	135	-	145	-	96	44	153	118	4,5	1 x Pg11, 2 x Pg29	1 x Pg11, 2 x Pg29
T12/1	168	-	220	-	107	-	96	44	151	203	4,5	2 x Pg36	2 x Pg36
T13/1	168	-	220	-	145	-	96	44	151	203	4,5	2 x Pg36	2 x Pg36
T13/2	220	-	168	-	145	-	96	44	203	151	4,5	1 x Pg11, 2 x Pg36	1 x Pg11, 2 x Pg36
T14/1	220	-	270	-	126	-	125	60	190	240	6	2 x Pg36	2 x Pg36
T19/1	300	268	300	350	170	108	125	60	272	272	7	4 x Pg16, 3 x Pg42	4 x Pg16, 3 x Pg42
T15/1	300	268	300	350	214	108	125	60	272	272	7	4 x Pg16, 3 x Pg42	4 x Pg16, 3 x Pg42
T16/1	300	268	450	540	170	108	125	60	272	422	7	2 x Ø 23...80 mm	2 x Ø 23...80 mm

Size of enclosure	B	L	H ₁	A	H	E	F	D	G	G ₁
T22/1	68	68	64	48	27	53 ¹⁾	53 ¹⁾	4,5	2 x Pg11	2 x Pg11
T23/1	68	68	94	48	27	53 ¹⁾	53 ¹⁾	4,5	2 x Pg11	2 x Pg11
T24/1	82	82	67	65	34	68 ¹⁾	68 ¹⁾	4,5	2 x Pg16	2 x Pg16
T25/1	82	82	93	65	34	68 ¹⁾	68 ¹⁾	4,5	2 x Pg16	2 x Pg16
T26/1	96	96	77	72	34	82 ¹⁾	82 ¹⁾	4,5	2 x Pg21	2 x Pg21
T27/1	96	96	109	72	34	82 ¹⁾	82 ¹⁾	4,5	2 x Pg21	2 x Pg21
T28/1	120	120	98	96	44	105	105	4,5	2 x Pg29	2 x Pg29
T29/1	120	120	146	96	44	105	105	4,5	2 x Pg29	2 x Pg29

SERIES S DISCONNECTS WITH UNDERVOLTAGE RELEASE

SERIES S WITH UV TRIP

SAFETY REQUIREMENT UV TRIP DISCONNECTS

For personal safety, OSHA, ANSI, IEC and European standards; all require protection against automatic restarting after main line voltage failure.

VDE specification 0113/

European standard EN 60 204 part 1 section 7.5 are specific:

“If automatic restarting can cause a dangerous condition, damage to the machine or to the working process, such an automatic restart of the machine has to be avoided through the release of the undervoltage safety mechanism.”

ELEKTRA main switches of the S and F series, with undervoltage release, comply to this code requirement. On power failure, the switch automatically turns to the “off” position by means of a trip mechanism.

The switch cannot be turned on until line voltage returns.

For example, the adjacent functional diagram shows the incorporation of the emergency-off pushbutton (N.C. contact) and PTC temperature sensor (N.C. contact) in the control circuit. The coil trips the main switch when the control circuit is interrupted.

SERIES S DISCONNECT RATINGS (600V MAX)

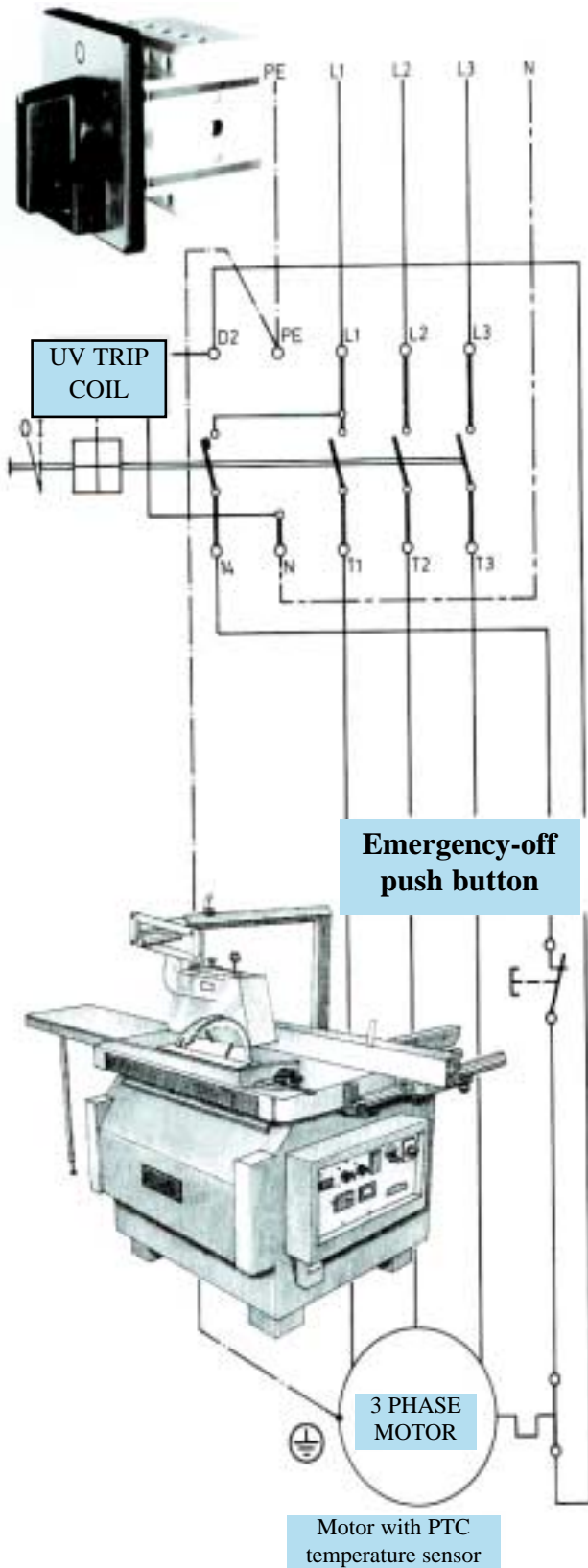
S1	30A
S2	50A
S3	80A
S4	150A

SERIES F 2 OR 3 POLE WITH UV TRIP

F	17A
---	-----

International acceptance: CE





Both series S and F are designed to satisfy international requirements. Series F and Series S switches submitted to UL/CSA for approval.



2- AND 3- POLE, 17 AMP (300V)

For sizes to 250 AMP,
see pages ET 26 - ET 29.

DISCONNECTS
UV TRIP

ON-OFF 3 POLE W / UV TRIP			ON-OFF 3 POLE W / UV TRIP		
					
IP 54			IP 54		
Front mounting with interlocking for 1 padlock			Front mounting with interlocking for 1 padlock		
RED / YELLOW OPERATOR		LIST	BLACK OPERATOR		LIST
2-POLE	EF2-BE-RG-*	\$90	2-POLE	EF2-B-SI-*	\$88
3-POLE	EF-BE-RG-*	\$93	3-POLE	EF-B-SI-*	\$91
ON-OFF 3-POLE W / UV TRIP			ON-OFF 3-POLE W / UV TRIP		
					
IP 54			IP 54		
Front mounting with interlocking for 3 padlocks			ISO enclosed		
RED / YELLOW OPERATOR		LIST	BLACK OPERATOR		LIST
2-POLE	EF2-D-RG-*	\$94	2-POLE	EF2-TB-SX-*	\$98
3-POLE	EF-D-RG-*	\$97	3-POLE	EF-TB-SX-*	\$101

*COIL SUFFIX (UV TRIP COIL 60Hz)	
-A	120 VOLT
-C	230 VOLT
-D	380 VOLT
-E	480 VOLT

Special executions

The ISO enclosed main switch is also available with interlocking device for 1 padlock.

	TYPE E-SE Add \$2 List
	IP 54

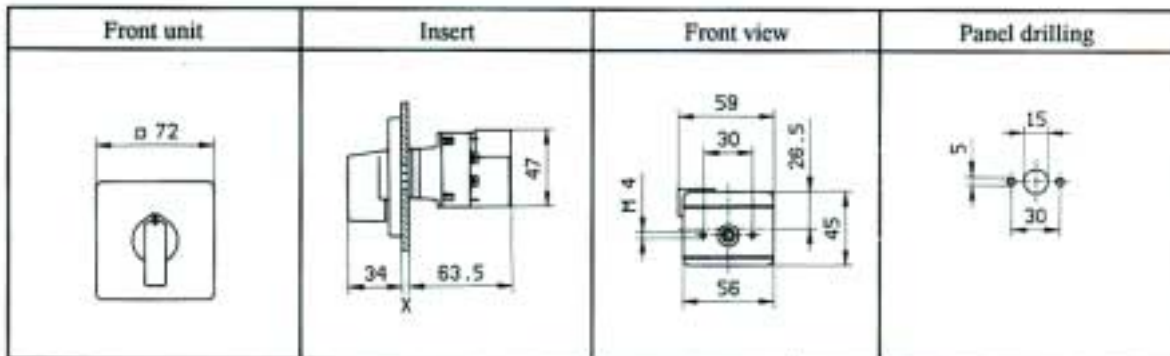
Technical Specifications

as per IEC 947, EN 60 947, VDE 0660, EN 60 204 / VDE 0113

Rated insulating voltage III/3 EN 60 947	V	440	Switching capacity III/3 EN 60 947		
Rated impulse voltage rigidity III/3 EN 60 947	kV	4		AC-23A/B Motor switch (Main Disconnect)	208V 1-phase
Rated thermal current	Ith	A	Rated operating current resp. motor rating	230V 1-phase	15A 3HP
Switching capacity				208V 3-phase	17A 5HP
IEC 947/VDE 0660				220...240V, 3-phase	15A 5HP
AC-21A/B Load Break switches				380...440V 3-phase	10A 5HP
Rated operating voltage	V~	440	Auxiliary switches FMZ/FZ AC-15 Control Switches		
Rated operating current	Ie	A			Ie 220...240V 380...440V

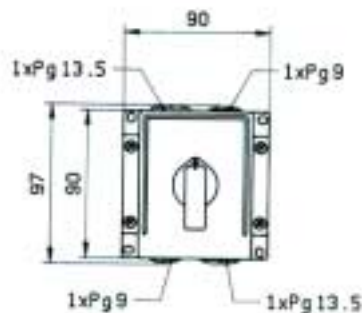
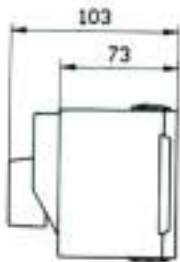
Dimensions (Approx. mm)

Front mounting with undervoltage release F



Dimensions

ISO enclosure T



Construction features:

The S series switches are 3-pole on-off switches with undervoltage release available in 4 sizes to 150 AMP, 600Volt. Series S switches provide protection against automatic restarting after mains failure and voltage recovery, as required by VDE specifications 0113 and European standard EN 60/204 part 1, section 7.5. Wide contact spacings guarantee the clearances as per VDE 0660 up to **660 V**.

COIL VOLTAGE

Coil voltage and frequency: In order to guarantee meeting requirements per VDE 0660 part 1, an exact match with the respective rated voltage and the rated frequency is essential. Other voltages with frequency 50 or 60 Hz are available.

UV CIRCUIT

The undervoltage release coil of the standard switch is connected to the line voltage with two basic circuits:

Wiring 011: coil connected between phase and N.

Wiring 013: coil connected between phase and L1 and L2

Wiring 024: coil connection, with control transformer.

When using a control transformer, special wiring 024 is required. Through the use of a 2-pole auxiliary switch, the line voltage is connected to the primary transformer. The secondary of the transformer then, is connected directly to the coil terminal D1 and D2. Listed switches are available with 120V, 230V, or 460V coils (60Hz), and 230V, 50Hz. By removing the jumper wire connection from 14 to D2, extra trip switching elements (N.C. contacts, such as **emergency-off push buttons**, motor thermal temperature switch) can be inserted into the trip coil circuit.

DISCONNECTS WITH UV TRIP



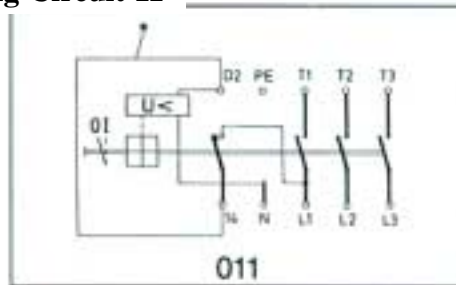
SERIES F TO 17 AMP



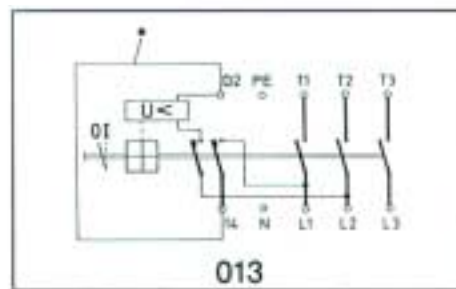
SERIES S TO 150 AMP

STANDARD UV CIRCUITS

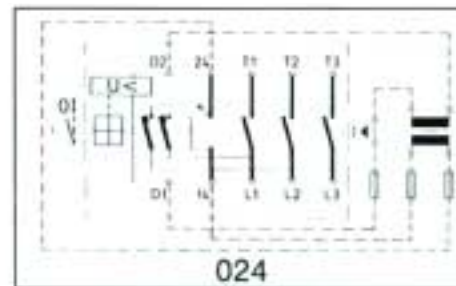
Wiring Circuit 11



Wiring Circuit 13



Wiring Circuit 24, with control transformer

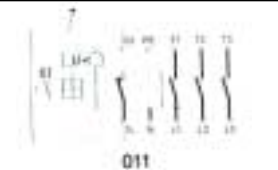


SERIES S
30 - 150 AMP
CE
**RED-YELLOW
OPERATOR**
**OPEN TYPE
ON - OFF**
FRONT MOUNT
600 VOLT AC

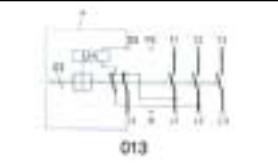
**DISCONNECTS
UV TRIP**

Circuit diagram ◆	SIZE UNIT	RATED CURRENT		WITH BE OPERATOR		WITH D OPERATOR	
		I _{TH} (AMP)	UL/CSA G.P. Amps	CATALOG NUMBER	LIST PRICE	CATALOG NUMBER	LIST PRICE

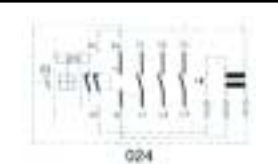
Operating voltage phase to neutral

	S1	25	30	E S1-11 BE 3 FM-*	\$230	E S1-11 D 3 FM-*	\$236
	S2	50		E S2-11 BE 4 FM-*	271	E S2-11 D 4 FM-*	282
	S3	80				E S3-11 D 5 FM-*	370
	S4	150				E S4-11D 5 FM-*	610

UV operating voltage line to line

	S1	25	30	E S1-13 BE 3 FM-*	\$230	E S1-13 D 3 FM-*	\$236
	S2	50		E S2-13 BE 4 FM-*	271	E S2-13 D 4 FM-*	282
	S3	80				E S3-13 D 5 FM-*	370
	S4	150				E S4-13 D 5 FM-*	610

For control transformer, UV coil voltage, 120V 60Hz

	S1	25	30	E S1-24 BE 3 FM-*	\$230	E S1-24 D 3 FM-*	\$236
	S2	50		E S2-24 BE 4 FM-*	271	E S2-24 D 4 FM-*	282
	S3	80				-	-
	S4	150				-	-

EMERGENCY STOP STATION

◆ To add **emergency stop pushbuttons** or other trip contacts to UV circuit, remove jumper connection (14-D2).

NOTE: FOR BLACK OPERATORS ADD SUFFIX:

-SI for "BE" handle, -SS for "D" handle

TYPE S4 ISO ENCLOSURES are outdoor dust tight for protection against water sprayed from all directions.

*COIL SUFFIX (UV TRIP COIL 60Hz)	
-A	120 VOLT
-C	230 VOLT
-D	380 VOLT
-E	480 VOLT

**SERIES S
RED-YELLOW
OPERATOR** **OPEN TYPE
ON - OFF**

**30 - 150 AMP
BASE MOUNT**

600 VOLT AC

CE

**BASE MOUNT WITH SAFETY
DOOR INTERLOCK**

Replace "D" in catalog number with "SD"

▲ Add \$18 List.

Example: E S1-11 SD 3 BM-*



DISCONNECTS
UV TRIP

Circuit diagram ◆	SIZE UNIT	RATED CURRENT		WITH BE OPERATOR		WITH D OPERATOR	
		I _{TH} (AMP)	UL/CSA G.P. Amps	CATALOG NUMBER	LIST PRICE	CATALOG NUMBER	LIST PRICE

Operating voltage phase to neutral

	S1	25	30	E S1-11 BE 3 BM-*	\$230	E S1-11 D 3 BM-*	\$240
	S2	50		E S2-11 BE 4 BM-*	271	E S2-11 D 4 BM-*	285
	S3	80				E S3-11 D 5 BM-*	390
	S4	150				E S4-11D 5 BM-*	630

UV operating voltage line to line

	S1	25	30	E S1-13 BE 3 BM-*	\$230	E S1-13 D 3 BM-*	\$240
	S2	50		E S2-13 BE 4 BM-*	271	E S2-13 D 4 BM-*	285
	S3	80				E S3-13 D 5 BM-*	390
	S4	150				E S4-13 D 5 BM-*	630

**For control transformer,
UV coil voltage, 120V 60Hz**

	S1	25	30	E S1-24 BE 3 BM-*	\$230	E S1-24 D 3 BM-*	\$240
	S2	50		E S2-24 BE 4 BM-*	271	E S2-24 D 4 BM-*	285
	S3	80				-	-
	S4	150				-	-

EMERGENCY STOP STATION

◆ To add **emergency stop pushbuttons** or other trip contacts to UV circuit, remove jumper connection (14-D2).

NOTE: FOR BLACK OPERATORS ADD SUFFIX:

-SI for "BE" handle, -SS for "D" handle



Shaft extension and coupling.

Switch Size	Shaft Length*	Catalog Number	List Price
D1, D2, D3	200mm (7.87 in)	ED-SE-5	\$15
D4, D5	155mm (6.10 in)	ED-SE-7	16
D6, D7	134mm (5.27 in)	ED-SE-11	17

*Allows for up to a 12" deep enclosure - field cut the shaft to length.

*COIL SUFFIX (UV TRIP COIL 60Hz)	
-A	120 VOLT
-C	230 VOLT
-D	380 VOLT
-E	480 VOLT

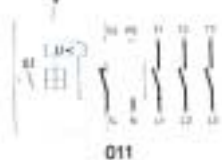
SHAFT COUPLING ONLY
E-171479 \$4 List
E-17487 \$6 List

SERIES S
30 - 150 AMP
600 VOLT AC 
**RED-YELLOW
OPERATOR**
**ENCLOSED
ON - OFF**

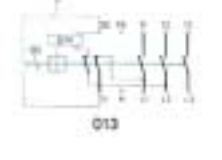

Circuit diagram ◆	SIZE UNIT	RATED CURRENT		TYPE S4 ENCLOSED WITH BE OPERATOR		TYPE S4 ENCLOSED WITH D OPERATOR	
		ITH (AMP)	UL/CSA G.P. Amps	CATALOG NUMBER	LIST PRICE	CATALOG NUMBER	LIST PRICE

**DISCONNECTS
UV TRIP**

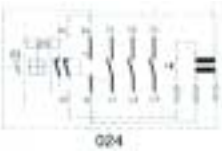
Operating voltage phase to neutral

	S1	25	30	E S1-11 BE 3 S4-*	\$265	E S1-11 D 3 S4-*	\$275
	S2	50		E S2-11 BE 4 S4-*	340	E S2-11 D 4 S4-*	350
	S3	80		-	-	-	-
	S4	150		-	-	-	-

UV operating voltage line to line

	S1	25	30	E S1-13 BE 3 S4-*	\$265	E S1-13 D 3 S4-*	\$275
	S2	50		E S2-13 BE 4 S4-*	340	E S2-13 D 4 S4-*	350
	S3	80		-	-	-	-
	S4	150		-	-	-	-

For control transformer, UV coil voltage, 120V 60Hz

	S1	25	30	E S1-24 BE 3 S4-*	\$265	E S1-24 D 3 S4-*	\$275
	S2	50		E S2-24 BE 4 S4-*	340	E S2-24 D 4 S4-*	350
	S3	80		-	-	-	-
	S4	150		-	-	-	-

EMERGENCY STOP STATION

◆ To add **emergency stop pushbuttons** or other trip contacts to UV circuit, remove jumper connection (14-D2).

NOTE: FOR BLACK OPERATORS ADD SUFFIX:
-SI for "BE" handle, -SS for "D" handle

TYPE S4 ISO ENCLOSURES are outdoor dust tight for protection against water sprayed from all directions.

TYPE 1 and 12 METAL,

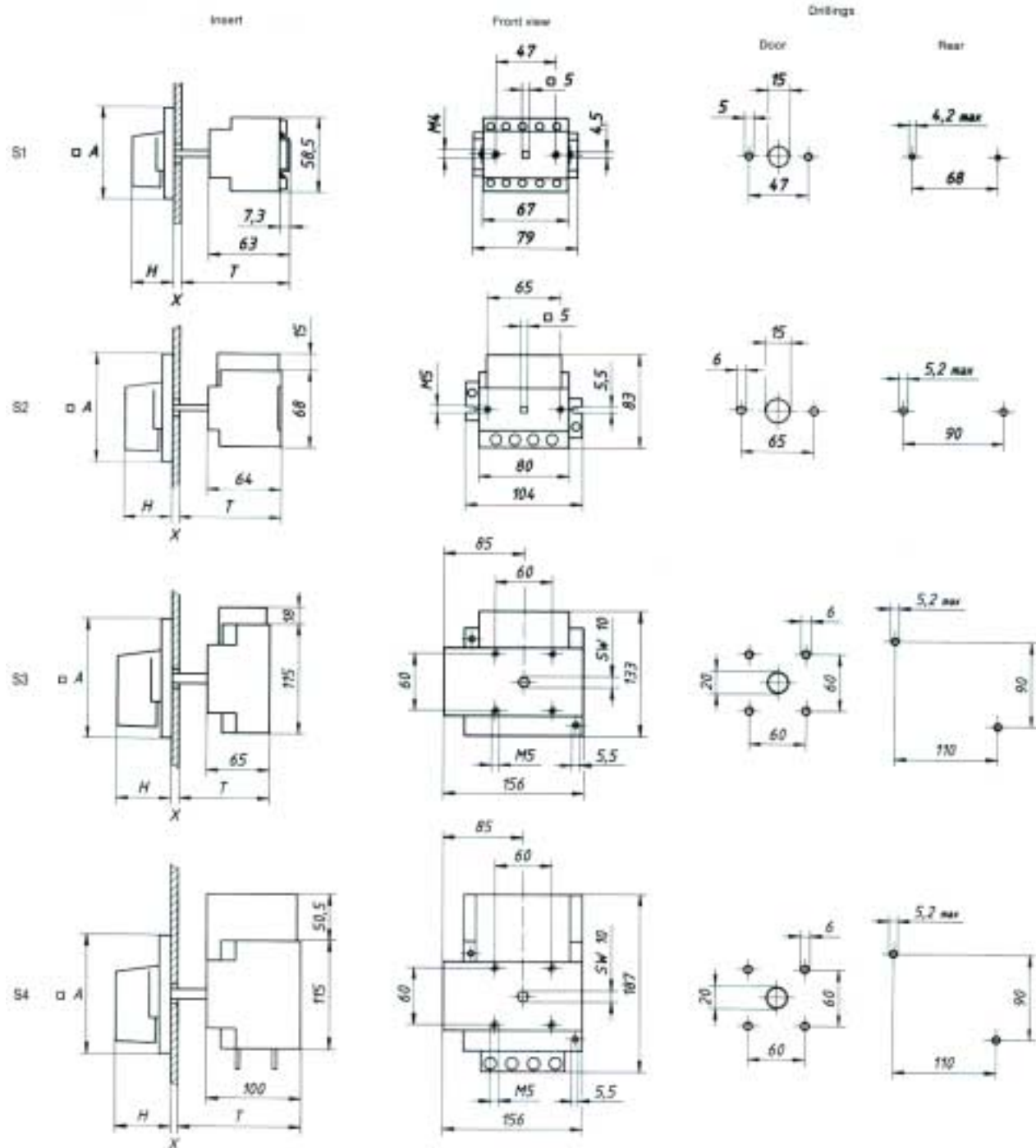
Check with factory sales representative

*COIL SUFFIX (UV TRIP COIL 60Hz)	
-A	120 VOLT
-C	230 VOLT
-D	380 VOLT
-E	480 VOLT

DIMENSIONS, APPROX. (mm) BASE MOUNT (BM)

For page ET 27

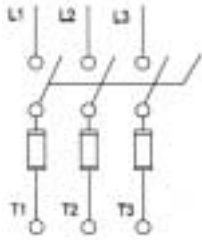
DISCONNECTS
UV TRIP



Typ / Type	BE		D		D ₁		X _{max.}	T
	A	H	A	H	A	H		
S1	72	34	72	34	72	34	4	105-113
S2	96	44	96	44	96	44	4	99-107
S3	-	-	125	60	125	60	4	117-132
S4	-	-	125	60	125	60	4	152-167

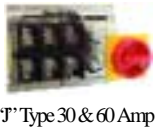
When using metric screws and lock nuts

Padlockable Fusible OPEN TYPE



FUSIBLE DISCONNECTS

600 VOLT		WITH BE OPERATOR		WITH D OPERATOR		BY-1 DEFEATABLE	
FUSE BLOCK AMP/TYPE	SWITCH AMPS/TYPE	CATALOG#▲	LIST	CATALOG#▲	LIST	CATALOG#▲	LIST
30▲▲ / C	40 / ED2	ED2-BE-FC3-0-*	\$198	ED2-D-FC3-0-*	\$204	ED2-BY-FC3-0-*	\$208
30 / C	40 / ED2	ED2-BE-FJ3-0-*	240	ED2-D-FJ3-0-*	246	ED2-BY-FJ3-0-*	250
60 / J	40 / ED2	ED2-BE-FJ6-0-*	255	ED2-D-FJ6-0-*	261	ED2-BY-FJ6-0-*	265
60 / J	80 / EDK4	EDK-BE-FJ6-0-*	290	EDK-D-FJ6-0-*	296	EDK-BY-FJ6-0-*	300
100 / J	80 / EDK4	EDK-BE-FJ1-0-*	320	EDK-D-FJ1-0-*	326	EDK-BY-FJ1-0-*	330
100 / J	125 / ED5	ED5-BE-FJ1-0-*	400	ED5-D-FJ1-0-*	406	ED5-BY-FJ1-0-*	410



Features:

▲ All units are standard and ready to mount into enclosures up to 8" deep.

▲▲ Din Rail Version Available (class CC only) Replace "O" with "D" same price.

The above Fusible Disconnects do not include fuses.

Type "BE" & "D" handles are rated IP65 which is the international standard used in similar applications to standard 4X outdoor watertight, non-corrosive design.

Above units are 3 pole type

* When Ordering Replace Asterisk with Operator Handle Suffix.

Example; ED2-BE-FC3-O-RG

For auxiliary contacts, ground terminals, accessories:
See page ET11. Catalog IC-8. Fuses not included

*Add handle/back plate color suffix

*	Suffix Color
-RG	Red/Yellow
-SS	Black/Grey
-SI	Black/Silver "BE"

IP65 OPERATORS "BE" & "D"

Dust Tight / Hose Test Tight / Rain Tight
NEMA 1, 3R, 12 (IP65)

BY-1 Operator IP67

Recommended for 4X Applications
(Non-Corrosive Areas).



MINI COMPACT 4X



NEMA 4X

Padlockable Fusible ENCLOSED TYPE



NEMA 3R



NEMA 12

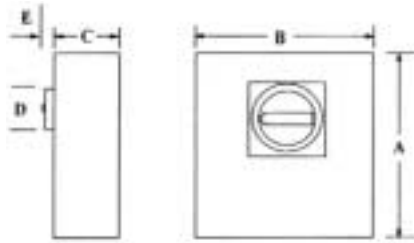
600 VOLT		NEMA 3R		NEMA 12		NEMA 4X	
FUSE BLOCK AMP/TYPE	SWITCH AMPS/TYPE	CATALOG#	LIST	CATALOG#	LIST	CATALOG#	LIST
30 / CC	40 / ED2	ED2-D-FC3-3R-RG	\$360	ED2-D-FC3-12-RG	\$380	ED2-D-FC3-4X-RG	\$380
30 / J	40 / ED2	ED2-D-FJ3-3R-RG	380	ED2-D-FJ3-12-RG	460	ED2-D-FJ3-4X-RG	460
60 / J	40 / ED2	ED2-D-FJ6-3R-RG	395	ED2-D-FJ6-12-RG	475	ED2-D-FJ6-4X-RG	475
60 / J	80 / EDK4	EDK-D-FJ6-3R-RG	480	EDK-D-FJ6-12-RG	520	EDK-D-FJ6-4X-RG	520
100 / J	125 / ED5	ED5-D-FJ1-3R-RG	720	ED5-D-FJ1-12-RG	850	ED5-D-FJ1-4X-RG	850

Notes to Enclosed Type Fusible Disconnects.

Above enclosed units are Standard "D" operators.
Red / Yellow. If Black desired, replace RG with SS.

For "Finger Safe" Designs add suffix - FS (Add \$24 List)
For additional Accessories Contact Factory.

ENCLOSED DIMENSIONS



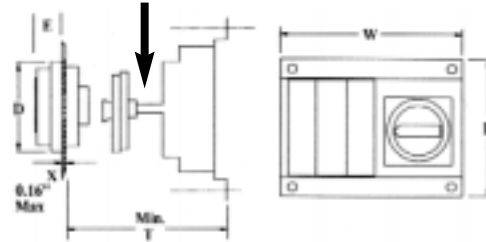
All dimensions in inches (Approx.)

Fuse Block Size	NEMA Enclosure Switch Type	Height A	Width B	Depth C	Operator D	Operator Depth E
30 Amp CC	4X/ED2	7	5	5	2.3/16	1.1/4
30 Amp J	ED2	11.1/4	9.1/4	7	2.13/16	1.1/4
60 Amp J	EDK4	11.1/4	9.1/4	7	2.13/16	1.1/4
100 Amp J	ED5	15.1/0	13.1/3	8.1/4	3.3/4	1.3/4
30 Amp CC	3R/ED2	8	8	6	2.13/16	1.1/4
30 Amp J	ED2	10	8	6	2.13/16	1.1/4
60 Amp J	EDK4	10	8	6	2.13/16	1.1/4
100 Amp J	ED5	14	12	8	3.3/4	1.3/4
CC	N12/ED2	8	6	6	2.13/16	1.1/4
30 Amp J	ED2	10	8	6	2.13/16	1.1/4
60 Amp J	EDK4	10	8	6	2.13/16	1.1/4
100 Amp J	ED5	14	12	8	3.3/4	1.3/4

OPEN DIMENSIONS



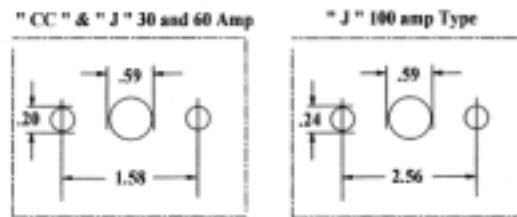
AUTO ALIGNMENT



Fuse Block Size	Type Switch	Height A	Width B	Min. Depth T [▲]	Operator D	Operator Depth E
30 Amp CC	ED2	4	4.5	5	2.13/16	1.1/4
30 Amp J	ED2	6.5/16	8.1/8	5	2.13/16	1.1/4
60 Amp J	EDK4	6.5/16	8.1/8	5	2.13/16	1.1/4
100 Amp J	ED5	7.1/2	10.1/2	6.1/4	3.3/4	1.3/4

▲ 8" Depth is Standard

Dimension of Holes for Door Drillings



TECHNICAL DATA

Switch	Switch Amps (UL/CSA)	Maximum Horsepower Ratings					
		Fuse Block	UL Fuse Type 600V	Three Phase			
				Amps	208V	230V	480V
ED2	40	30	CC	5	7.5	15	15
ED2	40	30	J	5	7.5	15	15
EDK4	80	60	J	15	20	40	50
ED5	125	100	J	15	25	50	50

*Accessories are located on page ET11 (IC7 Catalog) under Optional Accessories.

*All Fusible Disconnect Switches are UL Listed Components to 600 VAC

*All Dimensions are Approx. in Inches

Electrical & Electronic Controls, Inc.

7 West Cross Street
Hawthorne, NY 10532-1259
(914) 769-5000 • Fax (914) 769-3641
Email: eec@eecontrols.com

EEControls, Ltd.

19 Stewart Court
Orangeville, Ontario
Canada L9W 3Z9
(519) 941-6845 • Fax (519) 940-0514