

## FACTORY ASSEMBLED TOWERLITES

### HOW TO ORDER:

example... **LX2 V X C- A 453 W**

Towerlite Diameter & Watt	
LX1=1.7" (45mm)	4W
LX2= 2.5" (65mm)	10W
LX3= 3.5" (90mm)	25W
LX4= 5.4" (136mm)	40W

Wire Connection Type*
T= Terminal Block
W= Wire Harness

Mounting Type
V= Vertical Flat Base
H= Horizontal Base (4 lights and/or horn max.)
M= Middle Base (2 lights & 2 horns max. 1 of each on top & bottom)

Lens Color Base to Top	
1= Blue	
2= Amber	
3= Red	
4= Green	
5= Yellow	
6= Clear	
Size	Max. Stack
LX1	3
LX2	5
LX3	6
LX4	6

Horn and Rotating Beacon
H= Horn, mounted on top only. A horn cannot be added to a maximum light stack... deduct one stack.
R= Rotating Beacon, mounted on top only, or below horn... <i>available on LX4 size only</i>
X= Add if no horn or beacon

Voltage Suffix	
Suffix	Voltage
-M	12VAC/DC
-G	24VAC
-N	24VDC
-A	110VAC
-C	240VAC

Circuit Type
F= Continuous Light... Customer provides On/Off Circuit
C= Flashing or Continuous Light... With Electronic Control Module
B= Alternating Lights only...

Individual component base kits and light socket boards available upon request.  
Contact factory for availability.

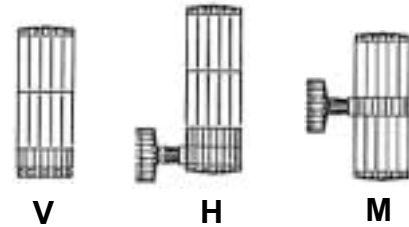
\*Type "T" standard. On certain styles, such as the "V" mount LX1 & LX2 with more than one light stack and / or horn, type "T" will not fit due to size limitations. Therefore, a Type "W" 32" wiring harness is provided as standard. Type "W" may be available for other sizes and styles...Contact factory for availability and price.



### Factory Assembled Units

Towerlite Size	LX1	LX2	LX3	LX4
<b>Per Light Stack</b> <i>(Price per light stack level includes bulb, socket &amp; lens.)</i>	\$30	\$35	\$60	\$90
<b>Mounting Type</b>				
<b>V</b>	\$30	\$35	\$40	\$75
<b>H</b>	\$40	\$45	\$60	\$90
<b>M</b>	\$42	\$50	\$70	\$110
<b>Horn, Rotating Beacon</b>				
<b>H</b>	\$60	\$70	\$100	\$130
<b>R (12, 24V)</b>	-	-	-	\$175
<b>(110, 240V)</b>	<i>LX4 size only...</i>	<i>Type "R" replaces cost of one "per stack" price</i>		\$165
<b>Circuit Type</b>				
<b>F</b> <i>(No extra cost)</i>	0	0	0	0
<b>C</b> <i>(12, 24V)</i>	\$20	\$40	\$60	\$60
<b>C</b> <i>(110, 240V)</i>	\$18	\$36	\$40	\$40
<b>B</b>	\$18	\$30	\$32	\$38

### Mounting Types:



Snap-on mounting feet provided as standard on mounting types V, H, M, PR & BMC

### examples: Factory Assembled Luxor Towerlite Part Number & Pricing Worksheet:

LX	<u>2</u>	<u>V</u>	<u>X</u>	<u>F-</u>	<u>M</u>	<u>4</u>	<u>5</u>	<u>3</u>	<u>1</u>	<u>W</u>	
		+\$35	+\$0	+\$0	+\$0	+\$35	+\$35	+\$35	+\$35	+\$0	=\$175 List
LX	<u>4</u>	<u>H</u>	<u>H</u>	<u>R</u>	<u>C-</u>	<u>A</u>	<u>4</u>	<u>5</u>	<u>3</u>	<u>I</u>	
		+\$90	+\$130	+\$165	+\$40	+\$0	+\$90	+\$90	<i>included with "R"</i>	+\$0	=\$605 List
LX	size	mtg type	H / R / X	circuit	voltage	lens	lens	lens	lens	lens	
	_____	_____	_____	_____	_____	_____	_____	_____	_____	_____	
	\$_____	\$_____	\$_____	\$_____	\$_____	\$_____	\$_____	\$_____	\$_____	\$_____	

### Replacement Lens Kit

Size	LX1	LX2	LX3	LX4
Part Number	LX1LK*	LX2LK*	LX3LK*	LX4LK*
List Price	\$10.00	\$12.00	\$20.00	\$35.00

### Spare Bulbs

Size	LX1	LX2	LX3	LX4
Part Number	LRBA9S4W*	LRBA9S10W*	LRBA15D25W*	LRBA15D40W*
List Price	\$7.00	\$7.00	\$8.00	\$8.00

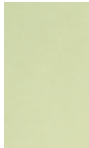
\*Must specify voltage... \*M (12VAC/DC) \*G (24VAC) \*N (24VDC)  
\*A (110VAC) \*C (240VAC)

\* Must specify lens color...  
\*1 (blue) \*2 (amber) \*3 (green)  
\*4 (green) \*5 (yellow) \*6 (clear)

## ROTATING BEACONS

LX4 size only.  
160 revolutions per minute +/-30  
40W bulb (110/240V), 45W bulb (12/24V)  
Contact factory for optional halogen bulb.

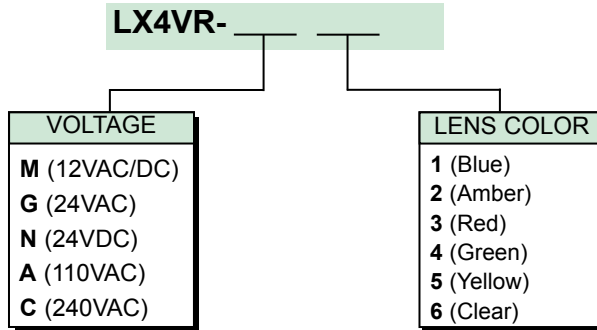
Vertical Mount



Horizontal Mount

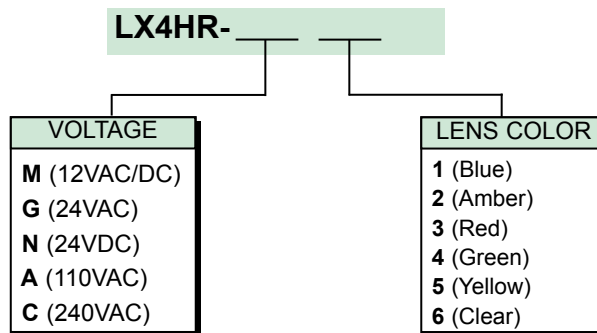


### HOW TO ORDER:



ex. -LX4VR-A3T

Size	Voltage Suffix	List Price
LX4	M, N, G	\$250.00
LX4	M, N, G	\$240.00



ex. -LX4VRH-A3T

Rotating Beacon available with horn...  
Add "H" to the part number.  
ex. -LX4VRH-A3T  
Price adder...\$130 List

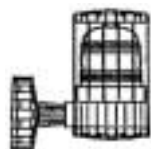
## XENON STROBE BEACONS

Very bright, high energy discharge  
65 flashes per minute +/-10  
LX2, LX3 - Two joules...LX4 - Six joules

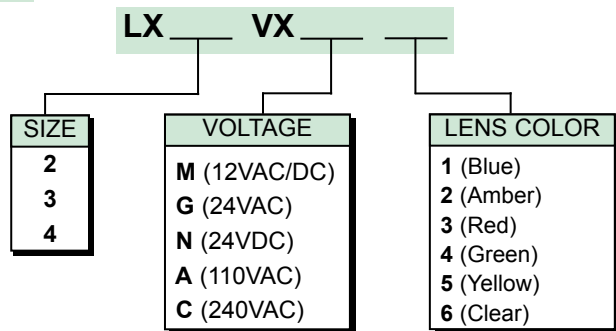
Vertical Mount



Horizontal Mount

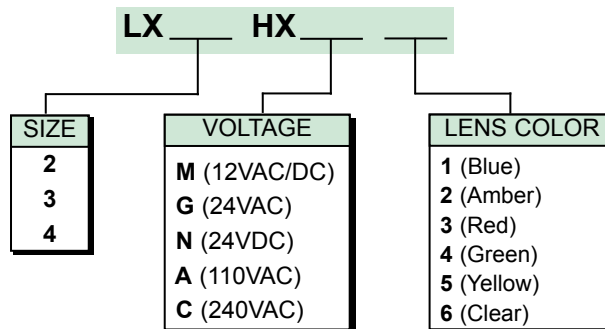


### HOW TO ORDER:



ex. -LX3VX-G2

Size	Voltage Suffix	List Price
LX2	A, C	\$150.00
LX2	M, N, G	\$160.00
LX3	A, C	\$180.00
LX3	M, N, G	\$255.00
LX4	A, C	\$280.00
LX4	M, N, G	\$340.00



ex. -LX4VXH-A3

Xenon Strobe Beacon (LX4 Only) available with horn...  
Add "H" to the part number.  
ex. -LX4VXH-A3  
Price adder...\$130 List

Xenon Spare Bulbs:

LX2, LX3 #LRX2J\* \$36.00 List

LX4 #LRX6J\* \$68.00 List

\*Use voltage suffix above

Type "V" Vertical Mount Only



### RIGID PEDESTAL-TYPE PR

Size	LX1	LX2	LX3	LX4
Part Number	LX1PRA	LX2PRA	LX3PRA	LX4PRA
List Price	\$20.00	\$27.00	\$38.00	\$64.00
Part Number	LX1PRB	LX2PRB	LX3PRB	-
List Price	\$32.00	\$45.00	\$54.00	-

### FLEXIBLE PEDESTAL-TYPE PF

Size	LX1	LX2	LX3	LX4
Part Number	LX1PF	LX2PF	LX3PF	-
List Price	\$32.00	\$48.00	\$68.00	-



### PIPE HOLDING BASE-TYPE BT

Size	LX1	LX2	LX3	LX4
Part Number	LX1BT	LX2BT	LX3BT	LX4BT
List Price	\$6.00	\$12.00	\$16.00	\$18.00

### MODULAR ROW BASE-TYPE BMC

Size	LX1	LX2	LX3	LX4
Part Number	LX1BMC	LX2BMC	LX3BMC	-
List Price	\$18.00	\$20.00	\$28.00	-



Note: One BMC mounts two lights...multiple BMC bases can be snapped together.



### SOLID WIRE ACCESS BASE-TYPE BC

Size	LX1	LX2	LX3	LX4
Part Number	LX1BC	LX2BC	-	-
List Price	\$18.00	\$20.00	-	-

### PIPE ADAPTER 1/2" NPT-TYPE PA

Size	LX1	LX2	LX3	LX4
Part Number	-	LX2PA	LX3PA	LX4PA
List Price	-	\$16.00	\$20.00	\$22.00

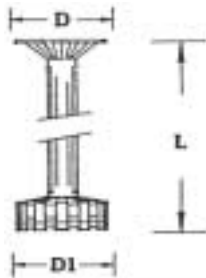


-Mounting accessories not assembled

-Mounting feet provided as standard for mounting types V, H & M and accessories PR and BMC.

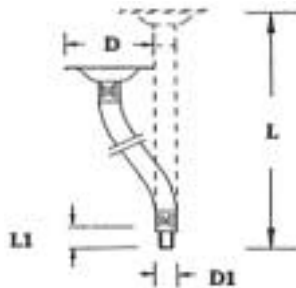
## MOUNTING ACCESSORIES

Rigid Pedestal-Type PR



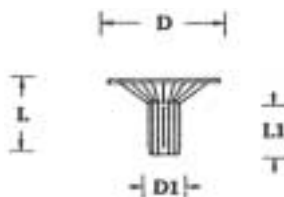
	LX1	LX2	LX3	LX4
	PRA	PRA	PRA	PRA
"D"	1.50"	2.28"	3.19"	5.00"
"D1"	1.97"	2.56"	3.54"	5.35"
"L"	7.09"	9.06"	9.25"	17.72"
	PRB	PRB	PRB	-
"D"	1.50"	2.28"	3.19"	-
"D1"	1.97"	2.56"	3.54"	-
"L"	18.90"	24.80"	25.00"	-

Flexible Pedestal-Type PF



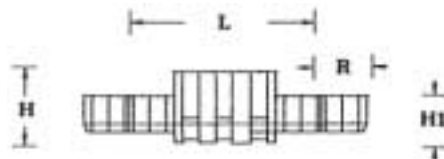
	LX1	LX2	LX3	LX4
	PF	PF	PF	-
"D"	1.50"	2.28"	3.19"	-
"D1"	m10x1	m12x1.5	m14x1.5	-
"L1"	.59"	.79"	.79"	-
"L"	10.04"	14.57"	18.50"	-

Pipe Holding Base-Type BT



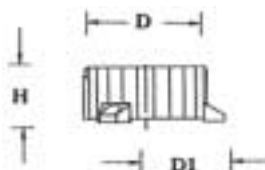
	LX1	LX2	LX3	LX4
	BT	BT	BT	BT
"D"	1.50"	2.28"	3.19"	5.00"
"D1"	.55"	.71"	.91"	1.30"
"L1"	.79"	1.06"	1.57"	1.65"
"L"	1.18"	1.57"	2.17"	2.36"

Modular Row Base-Type BMC



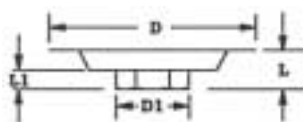
	LX1	LX2	LX3	LX4
	BMC	BMC	BMC	-
"H1"	.83"	.83"	.83"	-
"H"	1.26"	1.34"	1.42"	-
"R"	.83"	1.22"	1.69"	-
"L"	2.76"	3.94"	6.22"	-

Side Wire Access Base-Type BC



	LX1	LX2	LX3	LX4
	BC	BC	-	-
"D"	2.76"	2.76"	-	-
"D1"	3.54"	3.54"	-	-
"H"	1.26"	1.26"	-	-

Pipe Adapter-Type PA



	LX1	LX2	LX3	LX4
	-	PA	PA	PA
"D"	-	2.27"	3.18"	4.98"
"D1"	-	1.00"	1.00"	1.00"
"L1"	-	0.39"	0.39"	0.39"
"L"	-	0.78"	0.78"	0.98"

