

*Section E*



E





Convum Filters ..... 4-5

Convum Silencers ..... 6

Silencer (Flow Thru) ..... 7

ASN Series Air Line Mufflers ..... 8





Always filtrate the vacuum system to protect the components from damaging particles absorbed from the environment. Elements should be replaced periodically to prevent slower response and overall performance of the system.

## Part Numbers

Item	Application	Male Connection
VF-2G	CV-05, CV-10, MCA-05	G1/8"
VF-3G	CV-05, CV-10, MCA-05	G1/8"
VF-5G	CV-15, MCA-10/13	G1/4"
VF-6G	CV-20/25/30	G3/8"
VFL-44	General Use	4mm - Tube
VFL-66	General Use	6mm - Tube
VFL-88	General Use	8mm - Tube

## Spare Parts - Filter Elements

Item	For Filter
VF-2E	VF-2
VF-3E	VF-3
VF-5E	VF-5
VF-6E	VF-6
VFL-E	VFL-44, 66
VFL-88E	VFL-88
VFL-46H	Mounting Bracket for VFL-44, 66, 88
VF-3K	Cover, O-ring for VF-3, VF-5, VF-6
VFL-44K	Housing O-ring Kit for VFL-44
VFL-66K	Housing O-ring Kit for VFL-66
VFL-88K	Housing O-rings Kit for VFL-88

## Specifications

<b>Media</b>	Non-Corrosive Air
<b>Operating Vacuum</b>	0 to 28 inHg
<b>Maximum Pressure</b>	60 PSI
<b>Operating Temperature</b>	32 to 140°F
<b>Filtration</b>	120 $\mu$ m (VF-2); 130 $\mu$ m (VF-3, VF-5, VF-6); 37 $\mu$ m (MC2-f, CVR-2F); 130 $\mu$ m (CVK-F)

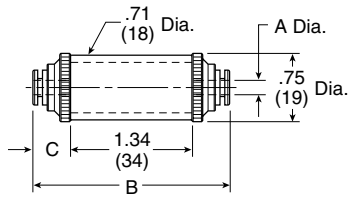
## Materials

Item	Material Housing	Material Element	Weight (oz.)
VF-2G	Aluminum	Acrylic, Stainless Steel	1.54
VF-3G	Aluminum	PC, Polyvinyl	3.10
VF-5G	Aluminum	PC, Polyvinyl	5.15
VF-6G	Aluminum	PC, Polyvinyl	8.25
VFL-44	Poly-Carbonate	PC, Polyvinyl	.67
VFL-66	Poly-Carbonate	PC, Polyvinyl	.74
VFL-88	Poly-Carbonate	PC, Polyvinyl	.81



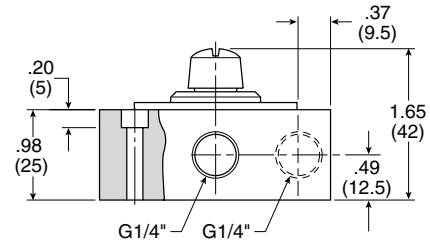
# Dimensions

## VFL Series

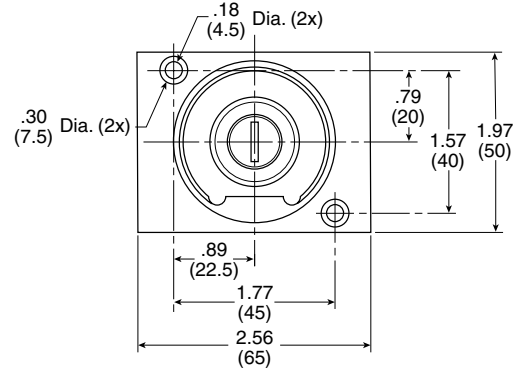
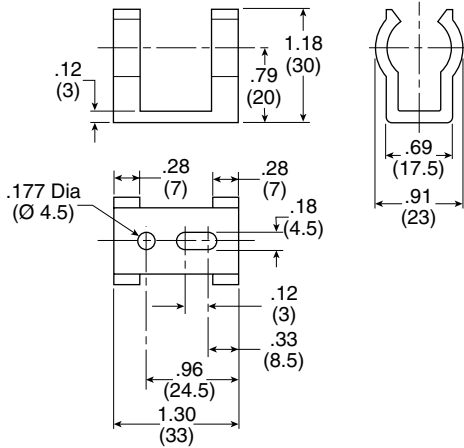


Item	A	B	C
VFL-44	.16 (4)	2.17 (55)	.41 (10.5)
VFL-66	.24 (6)	2.28 (58)	.47 (12)
VFL-88	.31 (8)	2.44 (62)	.55 (14)

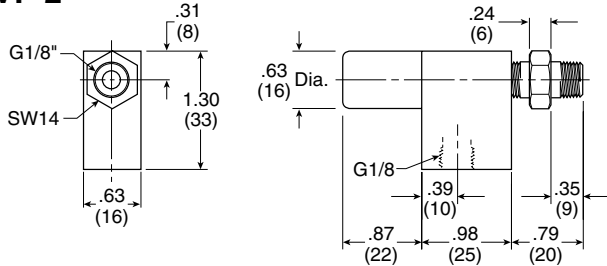
## VF-5



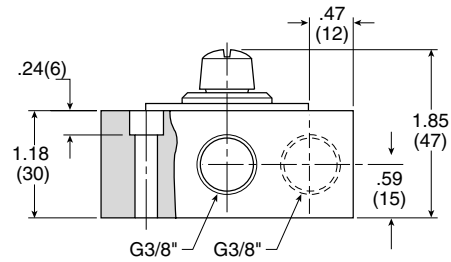
## VFL-46H Mtg. Bracket



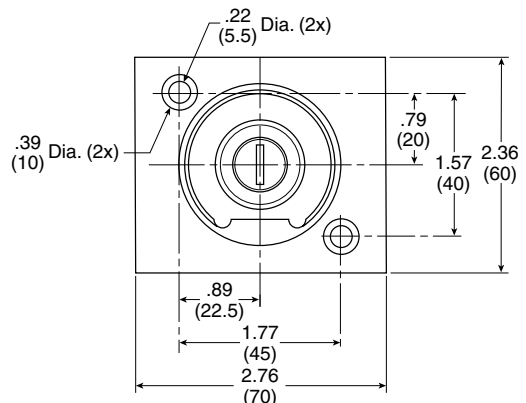
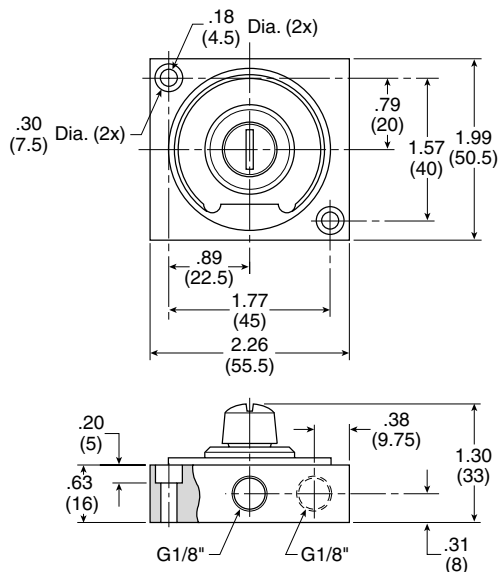
## VF-2



## VF-6



## VF-3





Protect the environment against harmful noise levels with quality silencers.

## Part Numbers

Item	For Generator Series	Male Connection
MSS-01	CV-05, CV-10, MCA-05	G1/8"
MSS-02	CV-05, CV-10, MCA-05	G1/8"
MSM-01	CV-15, MCA-10/13	G1/4"
MSL-02	CV-20	G1/2"
MS6-01	CV-25, CV-30	G3/4"

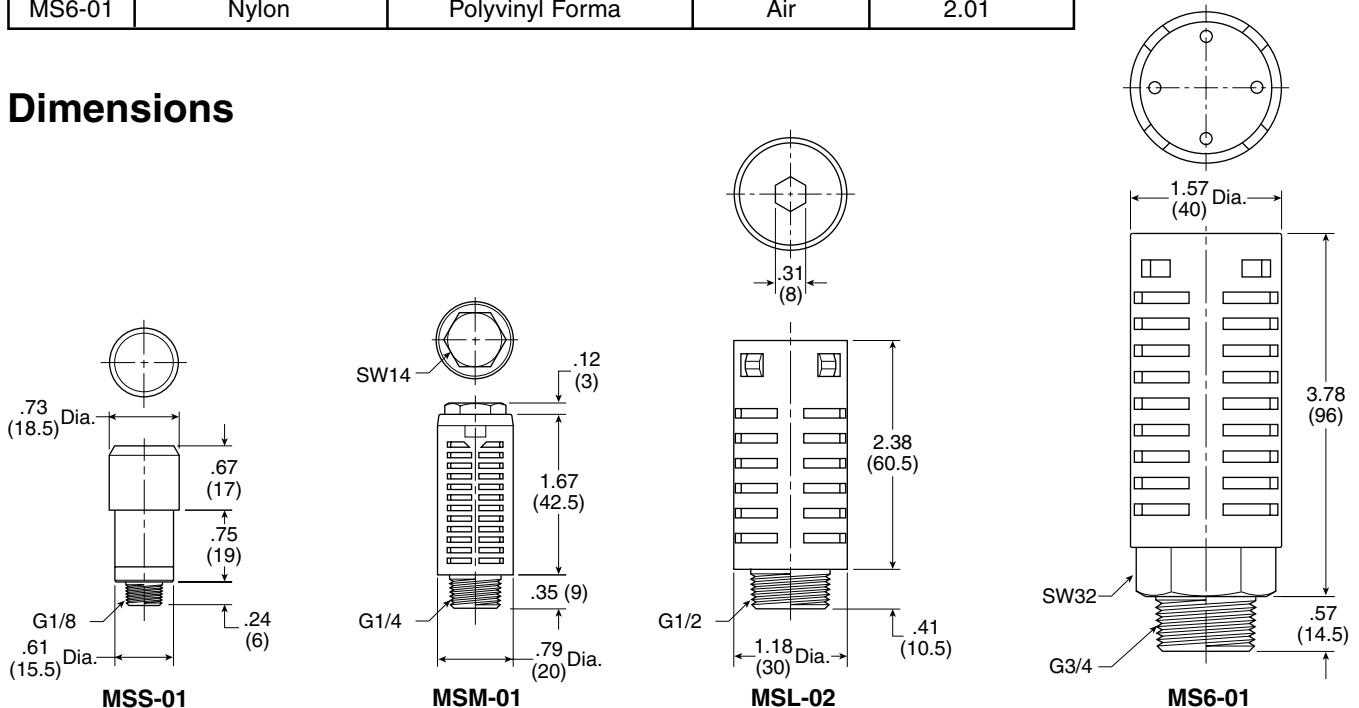
## Specifications

Media	Non-Corrosive Air
<b>Maximum Pressure</b>	128 PSI
<b>Operating Temperature</b>	41 to 132°F
<b>Silencing Effect</b>	20 dB

## Materials

Item	Material Housing	Material Element	Media	Weight (oz.)
MSS-01	Polyacetal	Felt, Urethane	Air	0.17
MSS-02	Polyacetal	Stainless Steel	Oil	0.17
MSM-01	Polyurethane	Felt	Air	0.24
MSL-02	Nylon	Vinyl	Air	0.88
MS6-01	Nylon	Polyvinyl Forma	Air	2.01

## Dimensions





Protect the environment against harmful noise levels with quality silencers. Flow thru silencer dampens noise generated by vacuum generators and allows particles exhausted by the generator to flow thru the open end of the silencer. Can be added to CV-25 Series Vacuum Generator.

### Part Number

Item	For Generator Series	Male Connection
S1S001	CH Series	G3/4"

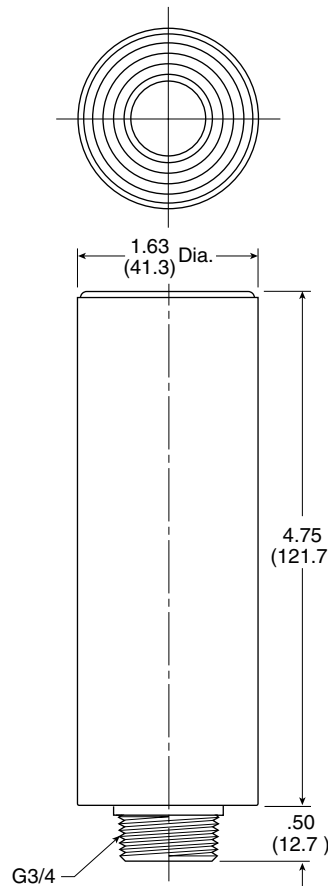
### Specifications

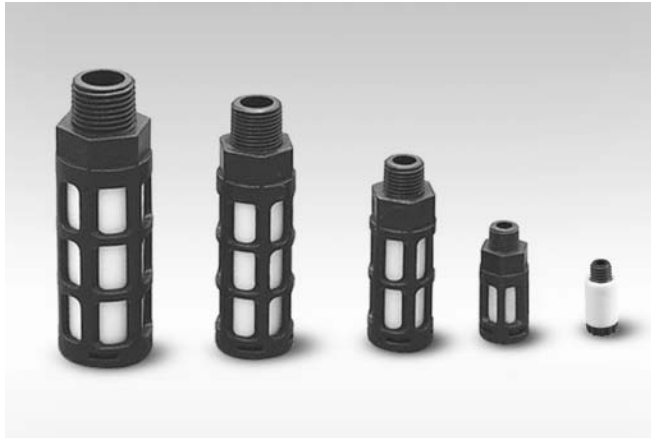
<b>Media</b>	Non-Corrosive Air
<b>Maximum Pressure</b>	128 PSI
<b>Operating Temperature</b>	41 to 132°F
<b>Silencing Effect</b>	20 dB

### Materials

Item	Material Housing	Material Element	Media	Weight (oz.)
S1S001	Polyacetal	Felt, Urethane	Air	0.17

### Dimensions





## Features

- Compact
- Lightweight
- Easy to install
- Excellent noise reduction
- Protects components from contamination
- NPT & BSPT threads available

## Application

The plastic silencer is designed to give excellent noise reduction with a minimum effect on air efficiency. The "Trimline" design allows for locating the silencer in the tightest places without extra plumbing or fittings. Fits directly into the exhaust port of most commercial valves. Open surface area of element allows for rapid discharge of air without undesirable back pressure.

## Specifications

**Pressure Rating:**

0 to 150 PSIG  
(0 to 10 bar, 0 to 1034 kPa)

**Temperature Rating:**

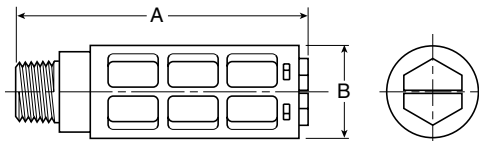
14°F to 140°F (-10°C to 60°C)

## Materials

Body ..... Acetal (Plastic)

Element ..... Polyethylene

## Dimensions



Thread Size	Part Number		A (mm)	B (mm)	Maximum Flow (SCFM) 100 PSIG Inlet	Sound Pressure Level (dBA)	
	NPT	BSPT				20 PSIG Inlet	100 PSIG Inlet
M5	AS-5		.43 (11)	.32 (8)	15	69	79
1/8"	ASN-6	AS-6	1.57 (40)	.63 (16)	51	69	81
1/4"	ASN-8	AS-8	2.56 (65)	.83 (21)	124	67	84
3/8"	ASN-10	AS-10	3.35 (85)	.98 (25)	247	83	98
1/2"	ASN-15	AS-15	3.74 (95)	1.18 (30)	370	69	96