

Series ACPS

Standard Type/Single Acting Spring Return, Spring Extended

Bore Size : $\phi 6$, $\phi 10$, $\phi 16$



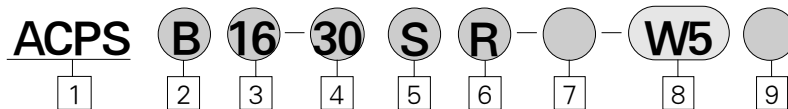
- STAINLESS STEEL BODY
- HIGH CYCLE LIFE
- BUILT - IN MAGNET
- COMPACT LIGHT DESIGN
- MANUFACTURING CERTIFIED TO ISO 9001/9002

Symbol

Single Acting/Single Rod



How to Order



1 Air Cylinder

Built-in magnet, Rubber cushions are Standard

2 Mounting

B : Standard type
L : Axial foot type
F : Rod side flange type
D : Double clevis type
(Except for $\phi 6$)

3 Bore Size(mm)

6 : $\phi 6$
10 : $\phi 10$
16 : $\phi 16$

4 Stroke (mm)

※ For Stroke Refer to Page A-14

5 Action

S : Single acting spring return
T : Single acting spring extended

6 Port Location on Head Cover

Symbol \ Bore size	$\phi 6$	$\phi 10, \phi 16$
R	-	in-line
Blank	in-line	Rear port

7 Special Options

Blank : Standard
XC16 : Copper-free

8 Applicable Auto switch

(Band mounted type)
W5 : Reed Switch

※ Standard Lead 0.5m (Up to 3m Optional)

9 Number of Switches

Blank : 2 pcs.
S : 1 pc
N : (n) pcs.

ACP

UACP

AX

AS

AM

AL
ALX

UARD

UAQ

AJ

AG

UAG

ADM

ADR

AMR

UAMR

AST

W~

PART No. of Mounting Bracket

Mounting Bracket	Bore Size		
	φ 6	φ 10	φ 16
Foot	ACP006-19	ACP010-19	ACP016-19
Flange	ACP006-20	ACP010-20	ACP016-20
※T Mounting	-	ACP010-42B	ACP016-42B

※T Mounting : Double clevis type(D)

PART No. of Auto Switch Mounting Band

Bore Size	PART No. of Auto Switch Mounting Band	Note
φ 6	ACP006	Common use to all of UW5 types
φ 10	ACP010	
φ 16	ACP016	

Standard Type/Single Acting : Single Rod/Series ACPS

Specifications

Action	Spring Return	Spring Extended
Fluid	Air	
Proof Pressure	10.5kgf/cm ² (1.05MPa)	
Max. Operating Pressure	7.0kgf/cm ² (0.7MPa)	
Min. Operating Pressure	φ 6	2.0kgf/cm ² (0.2MPa) 2.5kgf/cm ² (0.25MPa)
	φ 10, φ 16	1.5kgf/cm ² (0.15MPa)
Ambient and Fluid Temperature	40~140 ° F (5~60 ° C)	
Cushion	Rubber cushion (Standard)	
Lubrication	None (Non-Lube)	
Piston Speed	50~750 mm/sec. (2~29.5 in/sec)	

Auto Switch Specifications

Mounting	Bore Size	Reed Switch
		Grommet
Band Mounted Type	φ 6, φ 10, φ 16	UW5 type

Standard Stroke (mm)

Bore Size	Standard Stroke
φ 6	15, 30, 45, 60
φ 10	15, 30, 45, 60
φ 16	15, 30, 45, 60

Spring Retracting Force (kgf)

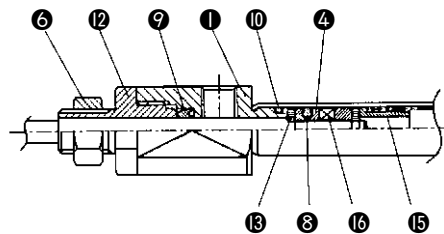
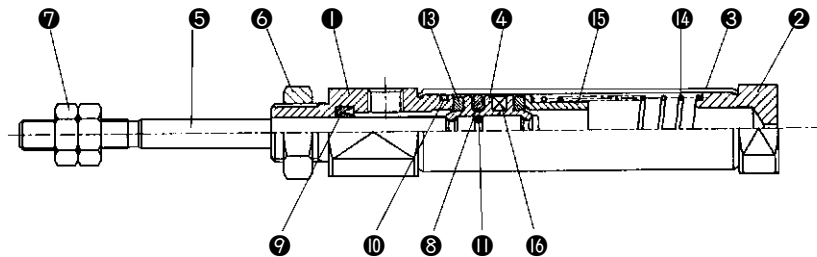
Bore Size	Extended Position	Retracted Position
φ 6	0.38	0.18
φ 10	0.70	0.36
φ 16	1.45	0.70

Mounting and Accessories

Mounting		Basic Type	Axial Foot Type	Rod Side Flange Type	Double Clevis Type
Standard	Mounting Nut	●	●	●	-
	Rod end Nut	●	●	●	●
	Clevis Pin	-	-	-	●
Option	Single Knuckle Joint	●	●	●	●
	Double Knuckle Joint (With Pin)	●	●	●	●
	T Mounting	-	-	-	●

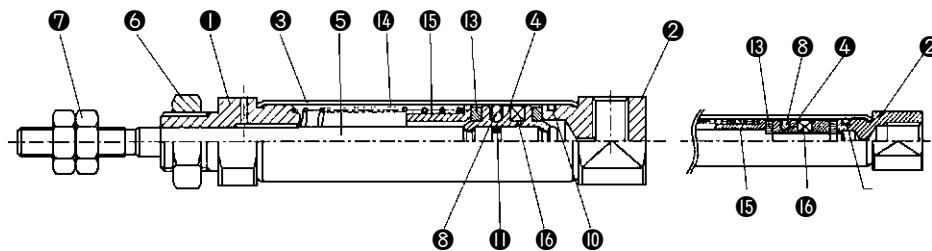
Construction/Parts List

Single Acting/Spring Extended
ACPS□□ - □T



ACPS6 Rod Cover, Piston

Single Acting/Spring Return
ACPS□□ - □S



ACPS6 Head Cover, Piston

Parts List

No.	Description	Material	Note
①	Rod Cover	Aluminum Alloy	White Alumite
②	Head Cover	Aluminum Alloy	White Alumite
③	Cylinder Tube	Stainless Steel	-
④	Piston	Brass	-
⑤	Piston Rod	Stainless Steel	-
⑥	Mounting Nut	Brass	Nickel PLATED
⑦	Rod end Nut	Rolled Steel	Nickel PLATED
⑧	Piston Packing	NBR	-

No.	Description	Material	Note
⑨	Rod packing	NBR	-
⑩	Tube gasket	NBR	-
⑪	Piston gasket	NBR	-
⑫	Packing retainer	Aluminum Alloy	White Alumite
⑬	Bumper	Urethane	-
⑭	Return spring	Piano Wire	-
⑮	Spring seat	Brass	-
⑯	Magnet	-	-

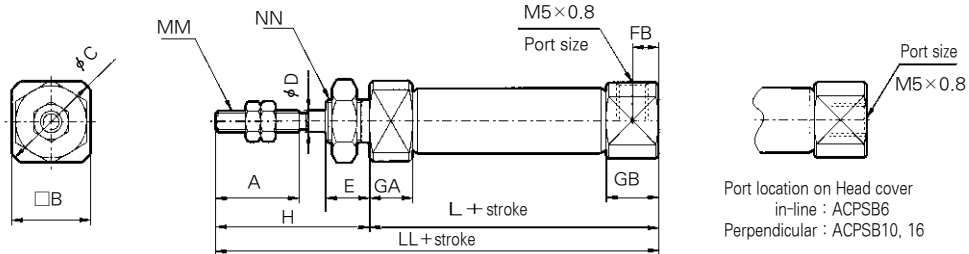
Standard Type/Single Acting : Single Rod/Series ACPSB

- ACP
- UACP
- AX
- AS
- AM
- AL
- ALX
- UARD
- UAQ
- AJ
- AG
- UAG
- ADM
- ADR
- AMR
- UAMR
- AST
- W~

Series ACPS

Spring Return/Standard Type(ACPSB)

ACPSB Bore Size Stroke (S) Port Location on Head Cover



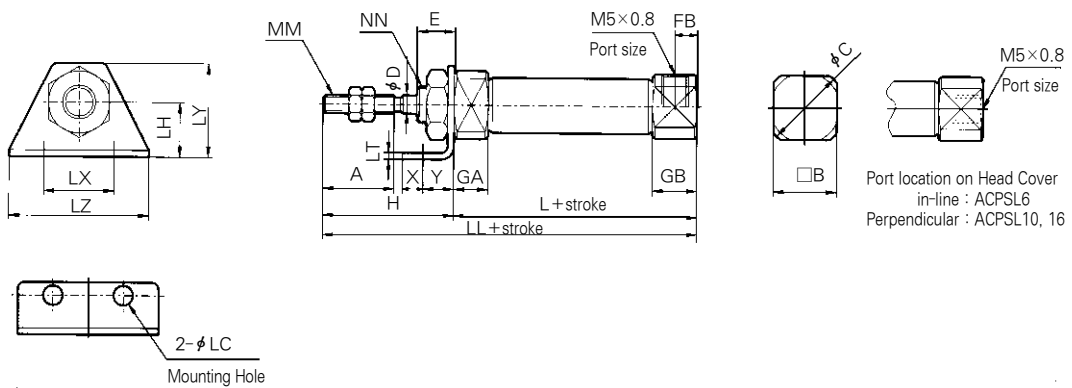
Port location on Head cover
in-line : ACPSB6
Perpendicular : ACPSB10, 16

(mm)

Bore size	A	B	C	D	E	FB	H	MM	GA	GB	NN	L				LL			
												5~15 ST	16~30 ST	31~45 ST	46~60 ST	5~15 ST	16~30 ST	31~45 ST	46~60 ST
$\phi 6$	15	8	9	3	8	-	28	M3x0.5	3	7	M6x1.0	39.5	48.5	52.5	66.5	67.5	76.5	80.5	94.5
$\phi 10$	15	12	14	4	8	5	28	M4x0.7	5.5	9.5	M8x1.0	46.5	54	66	78	74.5	82	94	106
$\phi 16$	15	18	20	5	8	5	28	M5x0.8	5.5	9.5	M10x1.0	46	54.5	66.5	78.5	74	82.5	94.5	106.5

Spring Return/Axial Foot Type(ACPSL)

ACPSL Bore Size Stroke (S) Port Location on Head Cover



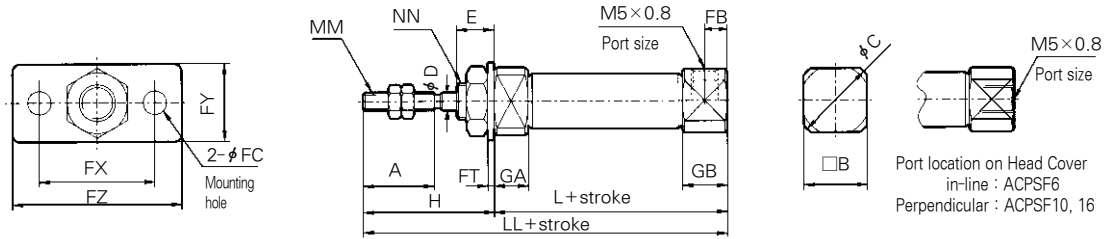
Port location on Head Cover
in-line : ACPSL6
Perpendicular : ACPSL10, 16

(mm)

Bore size	A	B	C	D	E	FB	H	LC	LH	LT	LX	LY	LZ	MM	GA	GB	NN	X	Y	L				LL			
																				5~15 ST	16~30 ST	31~45 ST	46~60 ST	5~15 ST	16~30 ST	31~45 ST	46~60 ST
$\phi 6$	15	8	9	3	8	-	28	4.5	9	1.6	24	16.5	32	M3x0.5	3	7	M6x1.0	5	7	39.5	48.5	52.5	66.5	67.5	76.5	80.5	94.5
$\phi 10$	15	12	14	4	8	5	28	4.5	9	1.6	24	16.5	32	M4x0.7	5.5	9.5	M8x1.0	5	7	46.5	54	66	78	74.5	82	94	106
$\phi 16$	15	18	20	5	8	5	28	5.5	14	2.3	33	25	42	M5x0.8	5.5	9.5	M10x1.0	6	9	46	54.5	66.5	78.5	74	82.5	94.5	106.5

Spring Return/Rod Side Flange Type(ACPSF)

ACPSF Bore Size Stroke S Port location on head cover



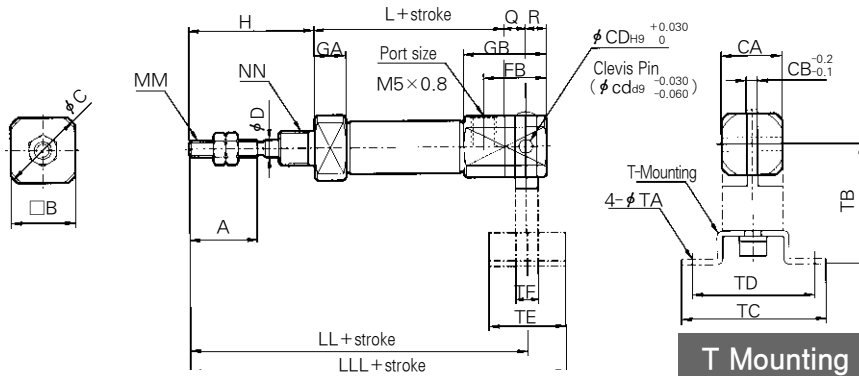
Port location on Head Cover
in-line : ACPSF6
Perpendicular : ACPSF10, 16

(mm)

Bore size	A	B	C	D	E	FC	FT	FX	FY	FZ	FB	H	MM	GA	GB	NN	L				LL			
																	5~15ST	16~30ST	31~45ST	46~60ST	5~15ST	16~30ST	31~45ST	46~60ST
φ6	15	8	9	3	8	4.5	1.6	24	14	32	-	28	M3×0.5	3	7	M6×1.0	39.5	48.5	52.5	66.5	67.5	76.5	80.5	94.5
φ10	15	12	14	4	8	4.5	1.6	24	14	32	5	28	M4×0.7	5.5	9.5	M8×1.0	46.5	54	66	78	74.5	82	94	106
φ16	15	18	20	5	8	5.5	2.3	33	20	42	5	28	M5×0.8	5.5	9.5	M10×1.0	46	54.5	66.5	78.5	74	82.5	94.5	106.5

Spring Return/Double Clevis Type(ACPSD)

ACPSD Bore Size Stroke S Port location on head cover



T Mounting

(mm)

Bore size	TA	TB	TC	TD	TE	TF
φ10	4.5	29	40	32	22	12
φ16	5.5	35	48	38	28	16

(mm)

Bore size	A	B	C	CA	CB	CD (cd)	D	FB	GA	GB	H	MM	Q	R	L				LL				LLL			
															5~15ST	16~30ST	31~45ST	46~60ST	5~15ST	16~30ST	31~45ST	46~60ST	5~15ST	16~30ST	31~45ST	46~60ST
φ10	15	12	14	12	3.2	3.3	4	18	5.5	22.5	28	M4×0.7	8	5	46.5	54	66	78	82.5	90	102	114	93.5	101	113	125
φ16	15	18	20	18	6.5	5	5	23	5.5	27.5	28	M5×0.8	10	8	46	54.5	66.5	78.5	84	92.5	104.5	116.5	98	106.5	118.5	130.5

ACP

UACP

AX

AS

AM

AL
ALX

UARD

UAQ

AJ

AG

UAG

ADM

ADR

AMR

UAMR

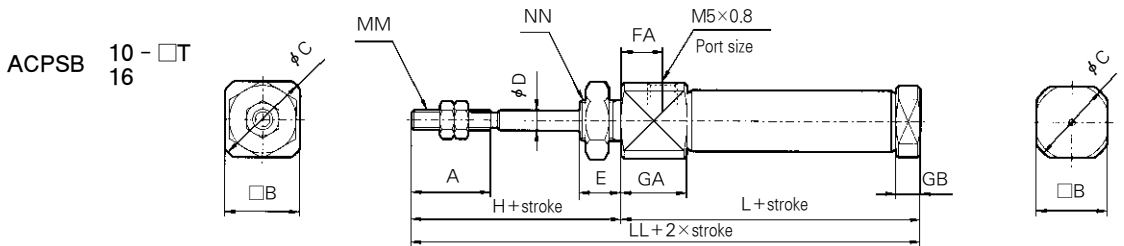
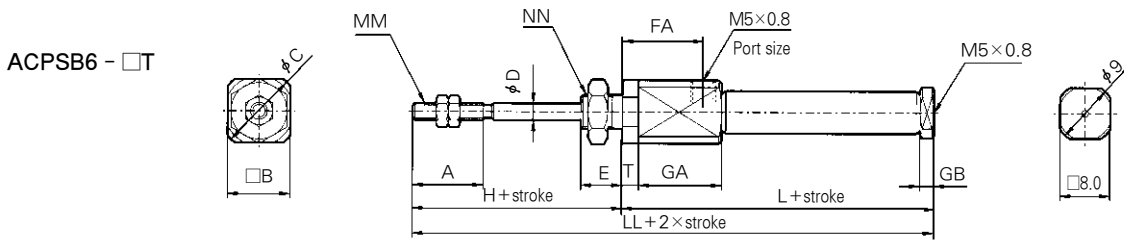
AST

W~

Series ACPS

Spring Extended/Standard Type (ACPSB)

ACPSB Bore size Stroke T

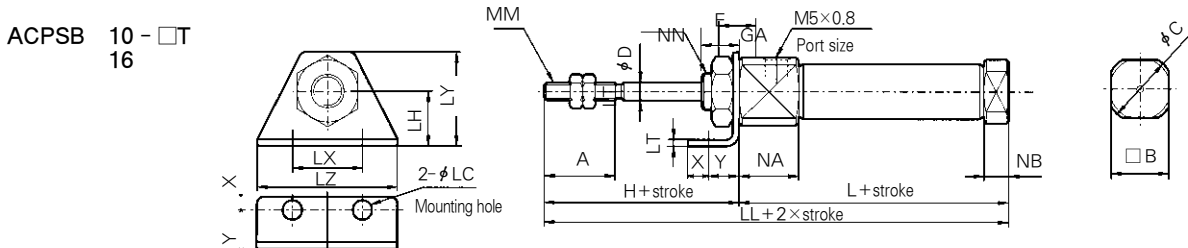
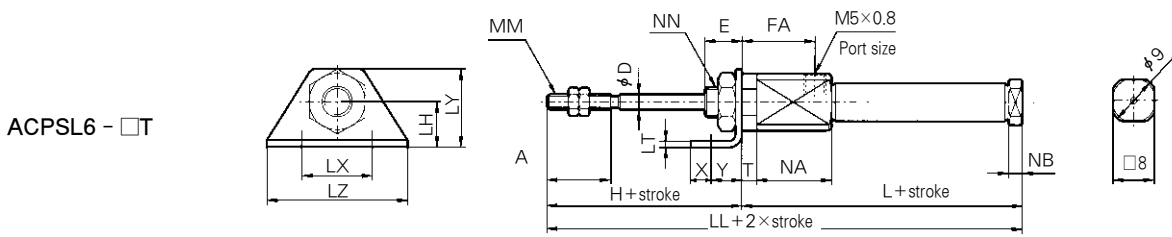


(mm)

Bore size	A	B	C	D	E	FA	H	MM	GA	GB	NDh8	T	NN	L				LL			
														5~15 ST	6~30 ST	31~45 ST	46~60 ST	5~15 ST	6~30 ST	31~45 ST	46~60 ST
φ6	15	12	14	3	8	14.5	28	M3×0.5	16	3	6 ⁰ _{-0.018}	3	M6×1.0	51.5	60.5	64.5	78.5	79.5	88.5	92.5	106.5
φ10	15	12	14	4	8	5	28	M4×0.7	12.5	5.5	8 ⁰ _{-0.022}	-	M8×1.0	49.5	57	69	81	77.5	85	97	109
φ16	15	18	20	5	8	5	28	M5×0.8	12.5	5.5	10 ⁰ _{-0.022}	-	M10×1.0	49	57.5	69.5	81.5	77	85.5	97.5	109.5

Spring Extended/Axial Foot Type (ACPSL)

ACPSL Bore size Stroke T

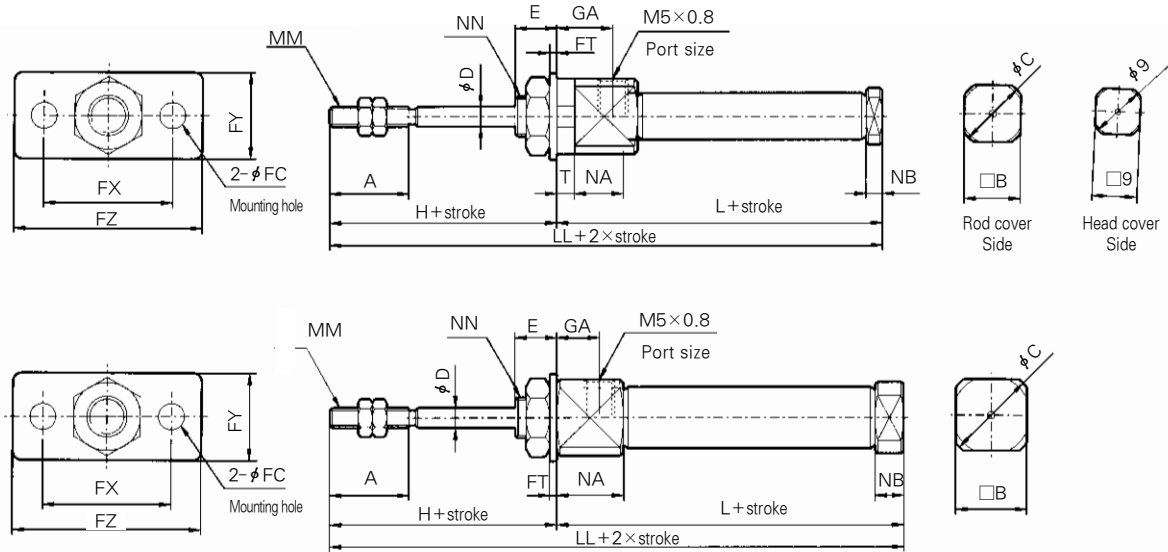


(mm)

Bore size	A	B	C	D	E	GA	H	LC	LH	LT	LX	LY	LZ	MM	NA	NB	T	X	Y	NN	L				LL			
																					5~15ST	16~30ST	31~45ST	46~60ST	5~15ST	16~30ST	31~45ST	46~60ST
φ6	15	12	14	3	8	14.5	28	4.5	9	1.6	24	16.5	32	M3×0.5	16	3	3	5	7	M6×1.0	51.5	60.5	64.5	78.5	79.5	88.5	92.5	106.5
φ10	15	12	14	4	8	8	28	4.5	9	1.6	24	16.5	32	M4×0.7	12.5	5.5	-	5	7	M8×1.0	49.5	57	69	81	77.5	85	97	109
φ16	15	18	20	5	8	8	28	5.5	14	2.3	33	25	42	M5×0.8	12.5	5.5	-	6	9	M10×1.0	49	57.5	69.5	81.5	77	85.5	97.5	109.5

Spring Extended/Rod Side Flange Type (ACPSF)

ACPSF Bore Size Stroke T

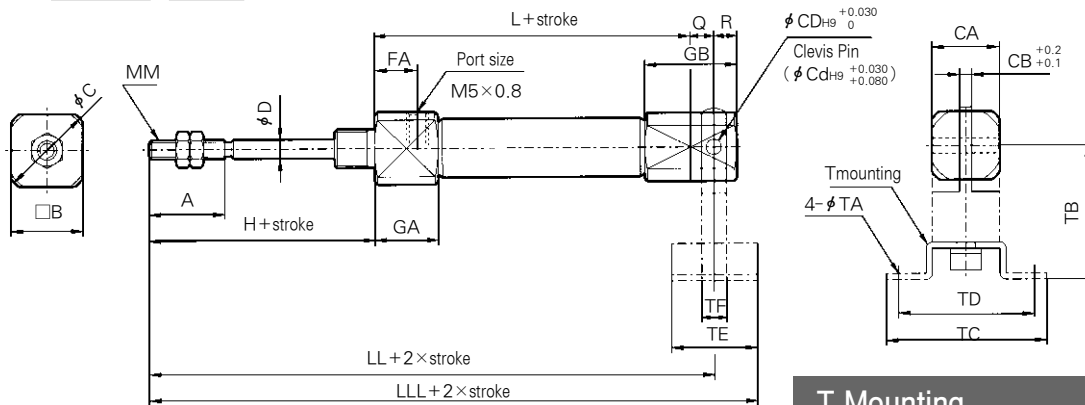


(mm)

Bore size	A	B	C	D	E	FC	FT	FX	FY	FZ	GA	H	MM	NA	NB	T	NN	L				LL			
																		5~15ST	16~30ST	31~45ST	46~60ST	5~15ST	16~30ST	31~45ST	46~60ST
φ6	15	12	14	3	8	4.5	1.6	24	14	32	14.5	28	M3×0.5	16	3	3	M6×1.0	51.5	60.5	64.5	78.5	79.5	88.5	92.5	106.5
φ10	15	12	14	4	8	4.5	1.6	24	14	32	8	28	M4×0.7	12.5	5.5	-	M8×1.0	49.5	57	69	81	77.5	85	97	109
φ16	15	18	20	5	8	5.5	2.3	33	20	42	8	28	M5×0.8	12.5	5.5	-	M10×1.0	49	57.5	69.5	81.5	77	85.5	97.5	109.5

Spring Extended/Double Clevis Type (ACPSD)

ACPSD Bore Size Stroke T



T Mounting

Bore size	TA	TB	TC	TD	TE	TF
φ10	4.5	29	40	32	22	12
φ16	5.5	35	48	38	28	16

(mm)

Bore size	A	B	C	CA	CB	CD (cd)	D	FB	GA	GB	H	MM	Q	R	L				LL				LLL			
															5~15ST	16~30ST	31~45ST	46~60ST	5~15ST	16~30ST	31~45ST	46~60ST	5~15ST	16~30ST	31~45ST	46~60ST
φ10	15	12	14	12	3.2	3.3	4	8	12.5	22.5	28	M4×0.7	8	5	53.5	61	73	85	89.5	97	109	121	100.5	108	120	132
φ16	15	18	20	18	6.5	5	5	8	12.5	27.5	28	M5×0.8	10	8	53	61.5	73.5	85.5	91	99.5	111.5	123.5	105	113.5	125.5	137.5

ACP

UACP

AX

AS

AM

AL
ALX

UARD

UAQ

AJ

AG

UAG

ADM

ADR

AMR

UAMR

AST

W~