

Reed Switch Type/Rail Mounted Type /Series W4

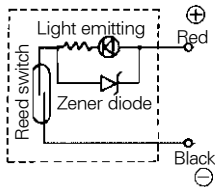


Auto Switch Specifications

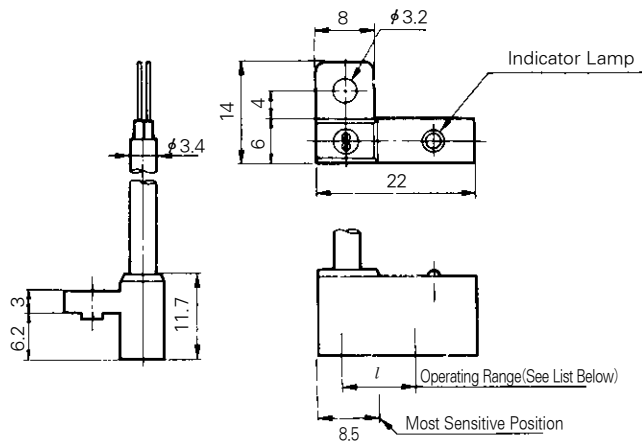
Auto Switch Model	W4	
Application	Relay, Sequence Control	
Voltage	DC24V	AC100V
Range of Load Current	5~40mA	5~20mA
Protection Circuit for Contact Breaker Point	None	
Internal Voltage Drop	2.4V or less	
Indicator Light	ON:Red light emitting diode	

- Current Leakage - None
 - Response time - 1.2 ms
 - Lead Wire - Oil proof vinyl. $\phi 3.4$, 0.2mm², 2 wire(red, black), 0.5 m
 - Impact Resistance - 30G
 - Insulation Resistance - 50M Ω or more under the test voltage 500VDC (Between case and cable)
 - Withstand Voltage - 1500VAC 1min(between case and cable)
 - Ambient Temperature - 5~60 $^{\circ}$ C
 - Protective Construction - IEC spec IP67, Water-proof(JISCO920), oil-proof.
- ※ If 3m lead wire is required, L is put at end of model numbers.
(Example) W4L

Auto Switch/Internal Circuit



Auto Switch Dimensions (mm)



Operating Range (l Dimensions) (mm)

Series	Bore Size(mm)									
	$\phi 12$	$\phi 16$	$\phi 20$	$\phi 25$	$\phi 32$	$\phi 40$	$\phi 50$	$\phi 63$	$\phi 80$	$\phi 100$
AQ	10	8	9	9	11	11	10	12	12	13