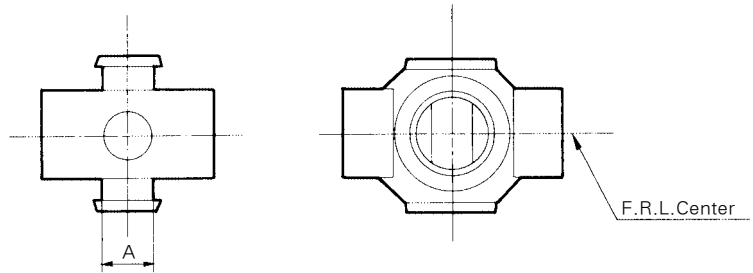
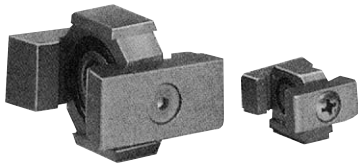


Accessories

Spacer

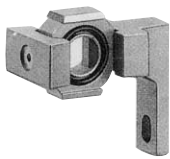


inch(mm)

Model	A	Applicable models
Y30	0.43(11)	PC3000~PC3020
Y40	0.55(14)	PC4000~PC4020

*PC2000 Series : Spacer No.

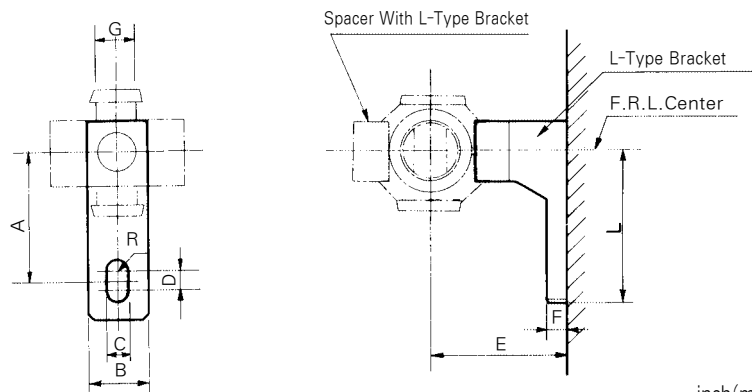
Spacer with L-Type Bracket



Spacer with L-Type bracket



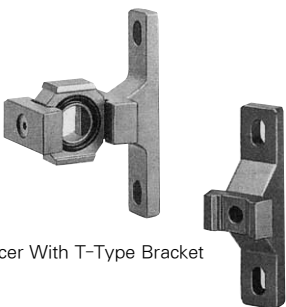
L-Type bracket



inch(mm)

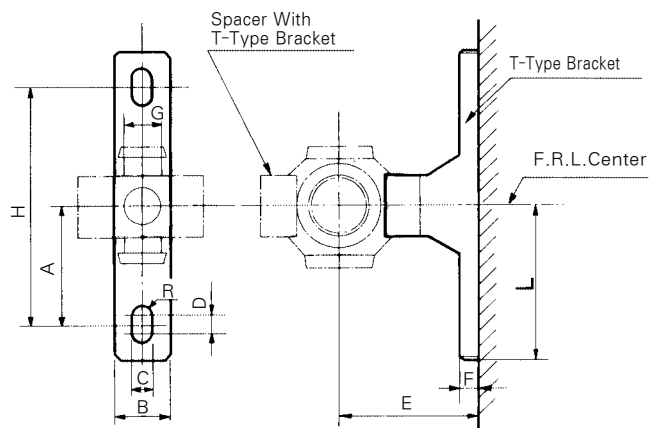
L-Type Bracket	Spacer with L-type Bracket	A	B	C	D	E	F	G	R	L	Applicable Models
TAC3000-06-6007	Y30L	1.38 (35)	0.63 (16)	0.28 (7)	0.16 (4)	1.61 (41)	0.28 (7)	0.43 (11)	0.14 (3.5)	1.77 (45)	PC3000
TAC4000-06-6003	Y40L	1.57 (40)	0.87 (22)	0.35 (9)	0.16 (4)	1.97 (50)	0.28 (7)	0.55 (14)	0.18 (4.5)	1.97 (50)	PC4000

Spacer with T-Type Bracket



Spacer With T-Type Bracket

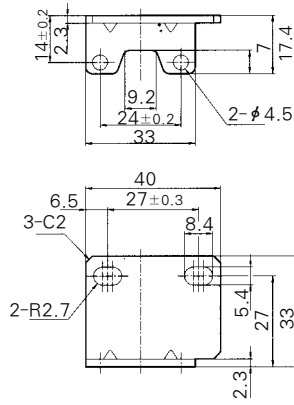
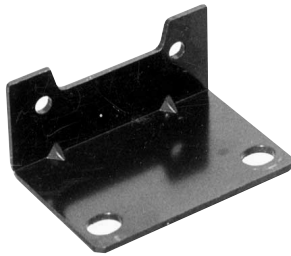
T-Type Bracket



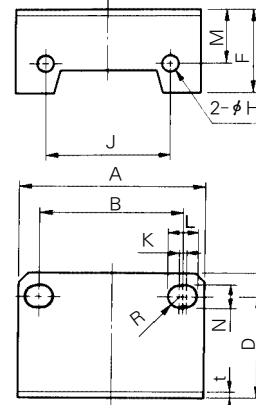
inch(mm)

L-type Bracket	Spacer With L-type Bracket	A	B	C	D	E	F	H	R	L	Applicable models
TAC3000-07-6007	Y30T	1.38 (35)	0.63 (16)	0.28 (7)	0.15 (3.8)	1.61 (41)	0.28 (7)	0.43 (11)	0.14 (3.5)	1.77 (45)	PC3010,3020
TAC4000-07-6003	Y40T	1.57 (40)	0.87 (22)	0.35 (9)	0.16 (4)	1.97 (50)	0.28 (7)	3.15 (80)	0.18 (4.5)	1.97 (50)	PC4010,4020

Bracket For PF · PL



PF · PL
(2000)

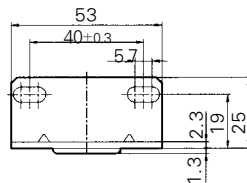


PF · PL
(3000 · 4000)

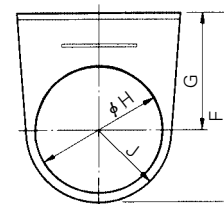
Model	A	B	C	D	F	H	J	K	L	M	N	R	t	Mounting Screw (Head cap Screw)	Applicable Models
PF2000-43-6034	1.57 (40)	1.06 (27)	1.30 (33)	1.06 (27)	0.69 (17.4)	0.18 (4.5)	0.94 (24)	0.12 (3)	0.33 (8.4)	0.55 (14)	0.21 (5.4)	0.11 (2.7)	0.09 (2.3)	M4×5 l M4×8 l	PF2000, PL2000
TAF3000-43-6004	2.09 (53)	1.57 (40)	1.54 (39)	1.26 (32)	1.0 (25.5)	0.18 (4.5)	1.38 (35)	0.06 (1.5)	0.31 (8)	0.75 (19)	0.26 (6.5)	0.13 (3.25)	0.09 (2.3)	M4×8 l (Hexagon socket)	PF3000, PL3000
TAF4000-08-6003	2.76 (70)	2.12 (54)	1.85 (47)	1.50 (38)	1.24 (31.5)	0.22 (5.5)	1.85 (47)	0.08 (2)	0.41 (10.5)	0.79 (20)	0.33 (8.5)	0.17 (4.25)	0.09 (2.3)	M5×10 l (Hexagon socket)	PF4000, PL4000
PC5000-08-6075	3.15 (80)	2.40 (61)	1.97 (50)	1.61 (41)	1.38 (35)	0.25 (6.5)	2.68 (68)	0.08 (2)	0.53 (13.5)	1.02 (26)	0.33 (8.5)	0.17 (4.25)	0.13 (3.2)	M6×1.0×12 (Hexagon socket)	PF5000, PR5000, PL5000

inch(mm)

Bracket For UPR · UPW



PR · PW
(2000)



PR · PW
(3000 · 4000)

Model	A	B	C	D	F	G	φH	J	K	L	N	R	t	Applicable Models
PR2000-43-6035	2.09 (53)	1.57 (40)	0.98 (25)	0.75 (19)	1.95 (49.5)	1.18 (30)	1.26 (32)	0.77 (19.5)	0.24 (6)	0.45 (11.4)	0.21 (5.4)	0.11 (2.7)	0.09 (2.3)	PR2000,PW2000
TAR3000-43-6005	2.09 (53)	1.57 (40)	0.83 (21)	0.53 (13.5)	2.60 (66)	1.61 (41)	1.67 (42.5)	0.98 (25)	0.06 (1.5)	0.31 (8)	0.26 (6.5)	0.13 (3.25)	0.09 (2.3)	PR3000,PW3020
TAC4000-09-6003	2.76 (70)	2.12 (54)	1.06 (27)	0.71 (18)	3.15 (80)	1.97 (50)	2.07 (52.5)	1.18 (30)	0.08 (2)	0.41 (10.5)	0.33 (8.5)	0.17 (4.25)	0.09 (2.3)	PR4000,PW4000
PC5000-08-6075	2.76 (70)	2.12 (54)	1.06 (27)	0.71 (18)	3.15 (80)	1.97 (50)	2.07 (52.5)	1.18 (30)	0.08 (2)	0.41 (10.5)	0.33 (8.5)	0.17 (4.25)	0.09 (2.3)	PR5000,PW5000

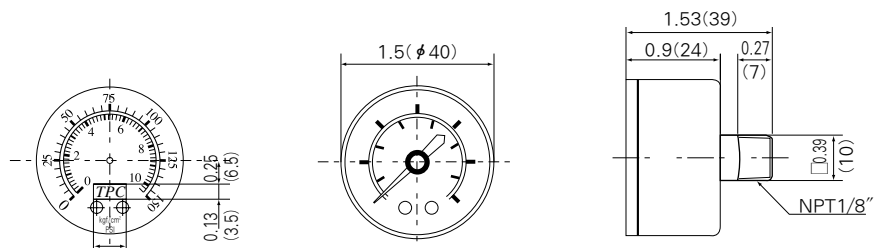
inch(mm)

Pressure Gauge For PC, PR, PW



PR4000-16-6001

inch(mm)



Model	Pressure range	Applicable Models
PR4000-16-6001	0~150 PSI	PC, PR, PW