

Series *PL* 2000 • 3000 • 4000 • 5000

Lubricator

PC

PF

PFH
PFU

PR

PL

PW

SH

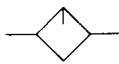


Specifications

Model	PL2000	PL3000	PL4000	PL5000
Port Size (NPT)	1/8", 1/4"	1/4", 3/8"	3/8", 1/2"	3/4", 1"
Max. Supply Pressure	231 PSI {1.5 MPa}			
Max. Operating Pressure	150 PSI {990 kpa}			
Min Operating Flow SCFM(Nl /min)※	1/8: 0.53 (15) 1/4: 1.06 (30)	1/4: 1.06 (30) 3/8: 1.41 (40)	3/8: 1.41 (40) 1/2: 1.77 (50)	3/4: 4.23 (120) 1: 7.79 (220)
Bowl Capacity (oz)	1.27	3.1	7.9	11
Recommended Oil	Turbine oil ISO VG32			
Ambient and Media Temperature	40~140°F (5~60°C)			
Bowl Material	Polycarbonate			
Weight Lbs. (kgf)	0.49(0.22)	0.66 (0.30)	1.15(0.52)	1.87(0.84)

※Conditions: Supply pressure-70 PSI(5 kgf/cm²), Number of drop-5 drops/min, ISO VG32, 68°F(20°C)

Symbol



Accessories(Optional)

Name	Part No.			
	PL2000	PL3000	PL4000	PL5000
Bracket	PF 2000 -43-6034	TAF 3000 -43-6004	TAC 4000 -08-6003	PC 5000 -08-6075

How to Order

UPL **30** 00 — **03** **B** — **○**

1 2 3 4 5

1 Lubricator

2 Body Size (NPT)

20 : 1/4"
30 : 3/8"
40 : 1/2"
50 : 1"

3 Port Size (NPT)

01 : NPT 1/8"
02 : NPT 1/4"
03 : NPT 3/8"
04 : NPT 1/2"
06 : NPT 3/4"
10 : NPT 1"

4 Accessory

B : Bracket

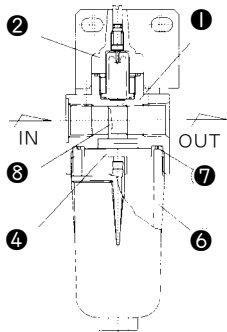
5 Bowl Guard Option

(Series 2000, 3000 Only)
Blank : None(Standard Type)
C : Metal Bowl Guard
XC16 : Copper-free

Series PL

Construction/Parts List

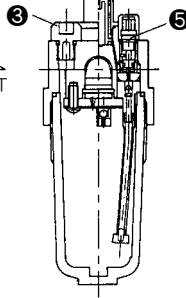
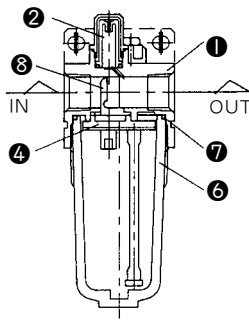
PL2000



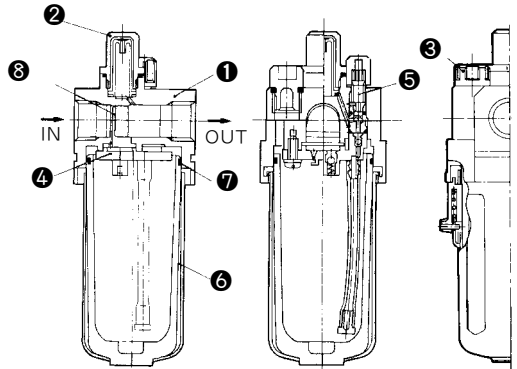
Symbol



PL3000



PL4000/PL5000



Main Parts

No.	Name	PL Material		Note
		PL2000	PL3000 · PL4000 · PL5000	
①	Body	Zinc Die Cast	Aluminum Die Cast	Baked Enamel Paint(Powder Coating)

Parts List

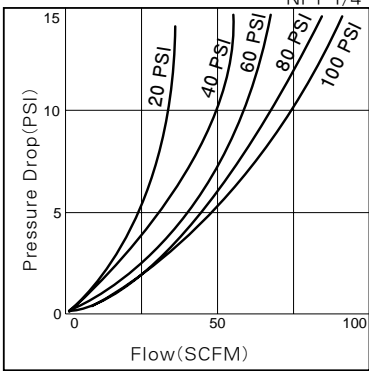
No.	Name	Material	Part No.			
			PL2000	PL3000	PL4000	PL5000
②	Sight Dome Ass'y	Polycarbonate	PL2000-02-6036	TAL4000-20A-6002	TAL4000-20A-6002	TAL4000-20A-6002
③	Filter Cup Ass'y	—	PL2000-18-6036	TAL3000-18A-6006	TAL4000-18A-6002	TAL4000-18A-6002
④	Damper Guide Ass'y	—	PL2000-08A-6036	TAL3000-08A-6006	TAL4000-08A-6002	TAL4000-08A-6002
⑤	Needle Valve Ass'y	—	PL2000-03-6036	TAL4000-03A-6002	TAL4000-03A-6002	TAL4000-03A-6002
⑥	Bowl Ass'y	—	PF2000-07A-6036	TAL3000-07A-6006	TAL4000-31A-6002	PL5000-07-6073
⑦	O-ring	NBR	PL2000-08-6036	TAF3000-08-6004	TAF4000-08A-6000	TAF4000-08A-6000
⑧	Damper	Synthetic Resin	01 : PL2000-14A-6036 02 : PL2000-14B-6036	02 : PL3000-14A-6006 03 : PL3000-14-6006	PL4000-14-6002	PL5000-08A-6073 PL5000-14-6073

※ (Note) Bowl assemblies of PL 4000 are fitted with bowl guards(spc).

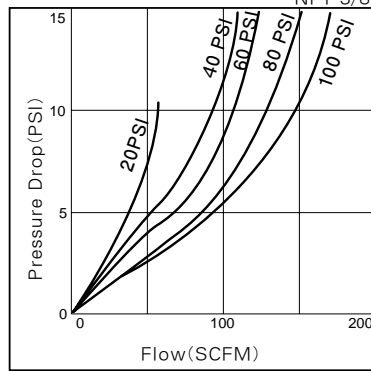
Flow Characteristics

inch(mm)

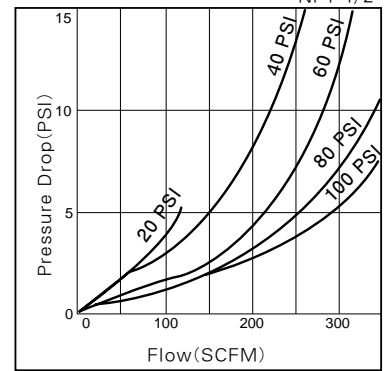
PL2000



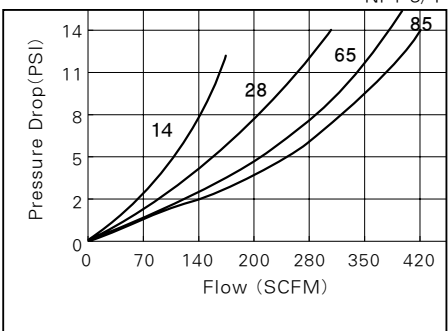
PL3000



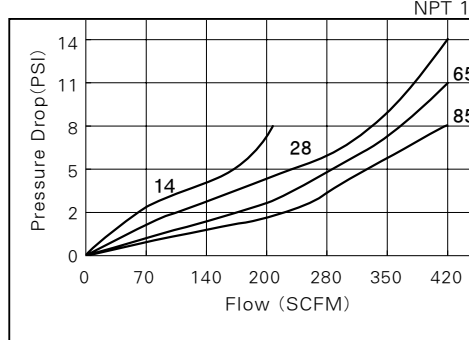
PL4000



PL5000



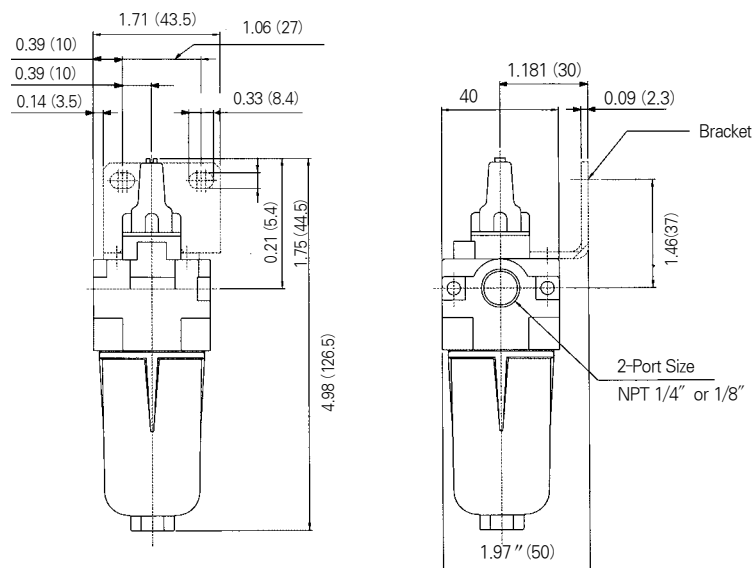
PL5000



Dimensions

inch(mm)

PL2000



PC

PF

PFH
PFU

PR

PL

PW

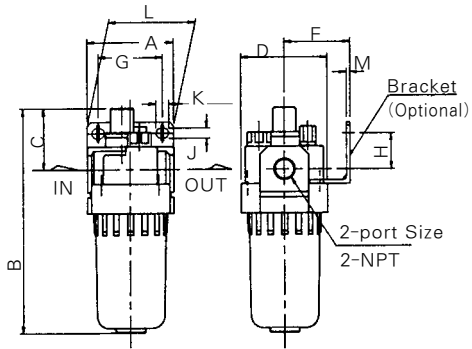
SH

Series PL

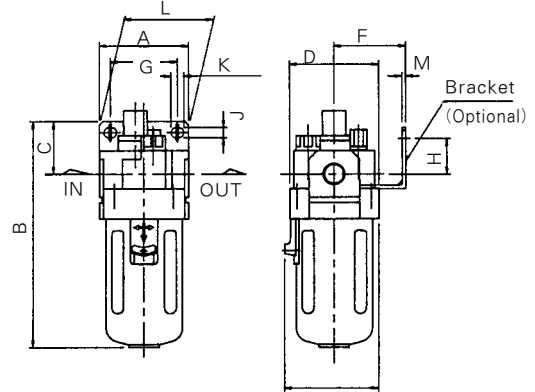
Dimensions

inch(mm)

PL3000



PL4000



inch(mm)

Model	Port Size NPT	A	B	C	D	F	G	H	J	K	L	M	P
PL3000	1/4" · 3/8"	2.09 (53)	5.55 (141)	1.50 (38)	2.09 (53)	1.61 (41)	1.58 (40)	0.91 (23)	0.26 (6.5)	0.32 (8)	2.09 (53)	0.09 (2.3)	-
PL4000	3/8" · 1/2"	2.76 (70)	6.97 (177)	1.61 (41)	2.76 (70)	1.97 (50)	2.13 (54)	1.02 (26)	0.33 (8.5)	0.41 (10.5)	2.76 (70)	0.09 (2.3)	2.87 (73)

Dimensions

inch(mm)

PL5000

