

Series PW 2000 · 3000 · 4000 · 5000

Filter Regulator



Specifications

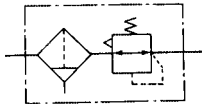
Model	PW2000	PW3000	PW4000	PW5000
Port size (NPT)	1/8", 1/4"	1/4", 3/8"	3/8", 1/2"	3/4", 1"
Max. Supply Pressure	231 PSI {1.5MPa}			
Max. Operating Pressure	150 PSI {9.9kgf/cm ² }			
Regulating Range	7~125 PSI {0.5~8.5kgf/cm ² }			
Port size for Pressure Gauge	NPT 1/8"			
Ambient and Media Temperature	40~140° F (5~60° C)			
Filtration	Standard : 10μm			
Bowl Capacity (oz)	0.9	1.2	2.7	4.8
Bowl Material	Polycarbonate			
Construction/Regulator	Relieving type			
Weight Lbs. (kgf)	0.66 (0.3)	1.23 (0.56)	2.54 (1.15)	3.11(1.41)

Accessories(Optional)

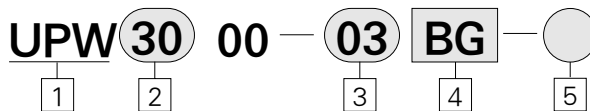
Name	Part No.			
	PW2000	PW3000	PW4000	PW5000
Bracket	PR2000-43-6005	TAR3000-43-6005	TAC4000-09-6003	TAC4000-09-6003
Pressure gauge	TAR-4000-16-6001			
Auto Drain	※ PF2000-01A-6039	TAF3000-01A-6008	TAF4000-01A-6009	PF5000-01A-6071

- Min. operating pressure:N·O-14.2PSI (Float type)
 ※ Differential Pressure type

Symbol



How to Order



1 Filter Regulator

2 Body Size (NPT)

20 : NPT 1/4"
 30 : NPT 3/8"
 40 : NPT 1/2"
 50 : NPT 1"

3 Port Size (NPT)

01 : NPT 1/8"
 02 : NPT 1/4"
 03 : NPT 3/8"
 04 : NPT 1/2"
 06 : NPT 3/4"
 10 : NPT 1"

4 Accessory

B : Bracket
 D : Auto drain:Float type(N.O)
 ※ UPW2000 :
 Differential Pressure type
 G : Pressure gauge

5 Bowl Guard Option

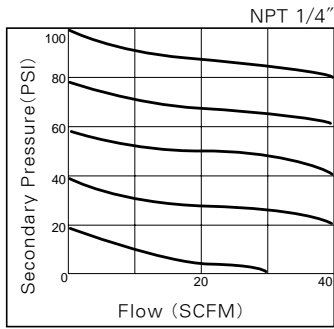
(Series 2000, 3000 Only)
 Blank : None(Standard Type)
 C : Metal Bowl Guard
 XC16 : Copper-free

Series PW

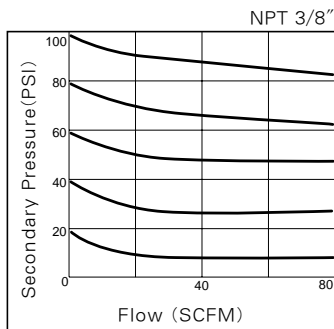
Flow Characteristics

※ Operating pressure: 100 PSI (7 kgf/cm²)

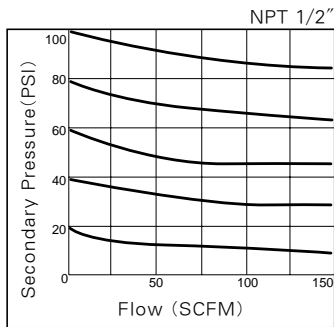
PW2000



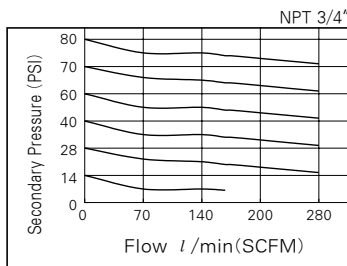
PW3000



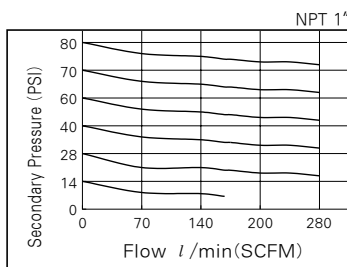
PW4000



PW5000



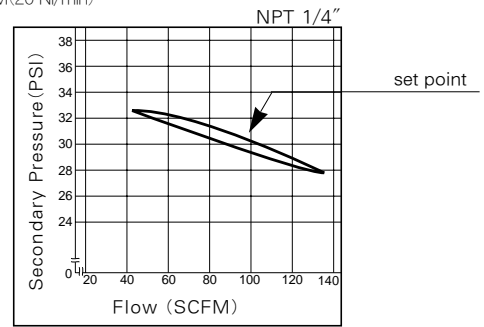
PW5000



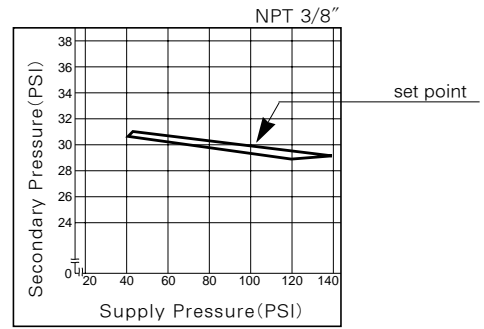
Pressure Characteristics

※ Operating pressure : 100 PSI (7 kgf/cm²)
 Secondary pressure : 30 PSI (2 kgf/cm²)
 Flow : 0.7 SCFM (20 NI/min)

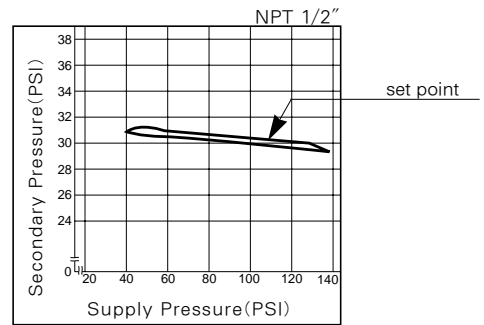
PW2000



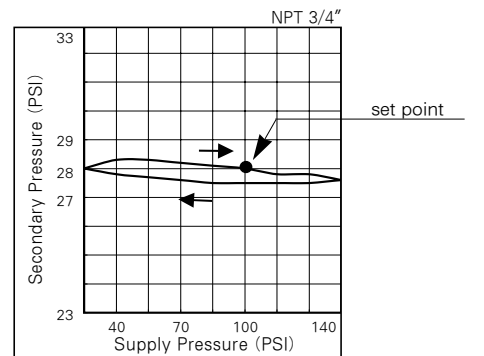
PW3000



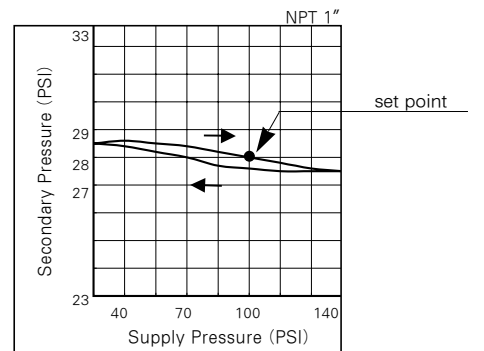
PW4000



PW5000

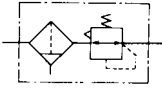


PW5000



Construction/Parts List

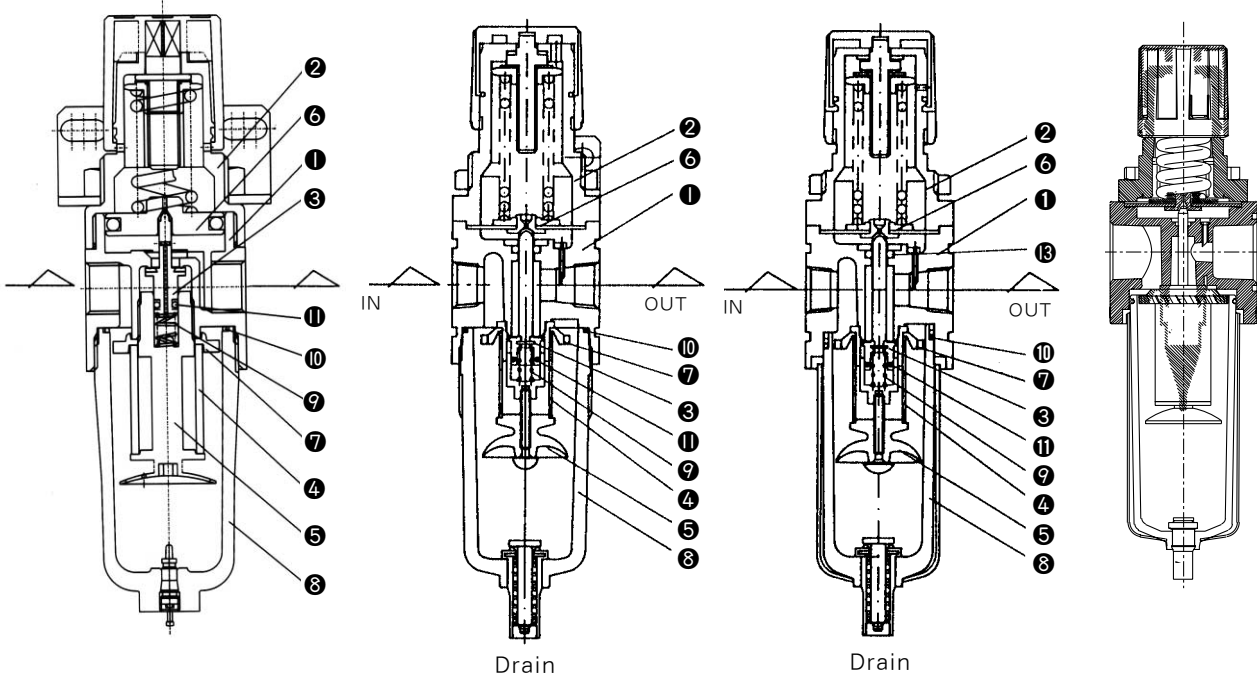
Symbol



PW2000

PW3000

PW4000



- PC
- PF
- PFH
PFU
- PR
- PL
- PW**
- SH

Main Parts

No.	Name	Material				Note
		PW2000	PW3000	PW4000	PW5000	
①	Body	Zinc die casting	Aluminum Die Cast		Baked Enamel Paint(Powder Coating)	
②	Bonnet	Polyacetal	Polyacetal	Aluminum Die Cast	Black Paint	

Parts List

No.	Parts Name	Material	Part No.			
			PW2000	PW3000	PW4000	PW5000
③	Valve Ass'y	Brass · NBR	PR2000-10-6035	TAW3000-10A-6009	TAW4000-10A-6010	PW5000-10A-6074
④	Filter Element	Bronze	PF2000-05-6034	TAF3000-05-6004	TAF4000-05-6000	TAF4000-05-6000
⑤	Baffle	ABS	PF2000-06-6034	TAF3000-06-6004	TAF4000-06-6000	PW5000-06-6071
⑥	Diaphragm Ass'y**	NBR	PR2000-13-6035	TAR3000-13-6005	TAR4000-13-6001	TAR4000-13-6001
⑦	Deflector	ABS	PF2000-04-6034	TAF3000-04-6004	TAF4000-04-6000	PW5000-09-6074
⑧	Bowl Ass'y	Polycarbonate	PF2000-07-6034	TAF3000-07-6004	TAF4000-07-6000	PF5000-07-6071
⑨	Valve Spring	Stainless steel	PR2000-17-6035	TAW3000-18-6009	TAW4000-18-6010	TAW4000-18-6010
⑩	Case O-ring	NBR	V024-08-6035	TAF3000-08-6004	TAF4000-08-6000	TAF4000-08-6000
⑪	Valve O-ring	NBR	V006-23-6034	TAW3000-23-6009	TAW4000-23-6010	TAW4000-23-6010
⑫	O-ring	NBR	-	TAR4000-04-6001	TAR4000-04-6001	TAR4000-04-6001

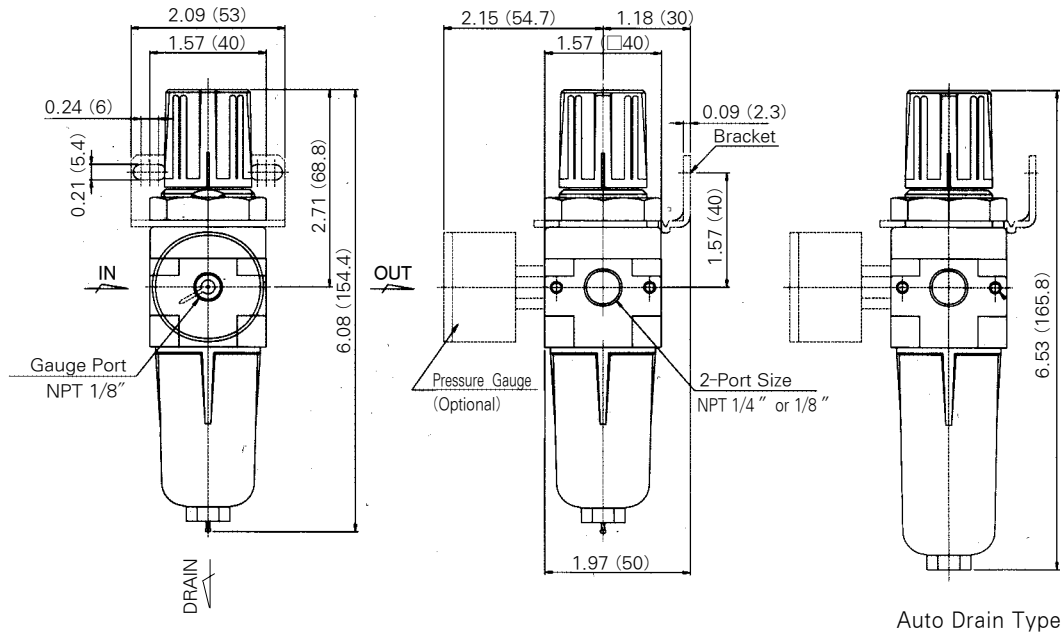
* Note) Bowl assemblies of PW4000 are fitted with bowl guards(SPC).
 ** PW2000 Piston Type

Series PW

Dimensions

inch(mm)

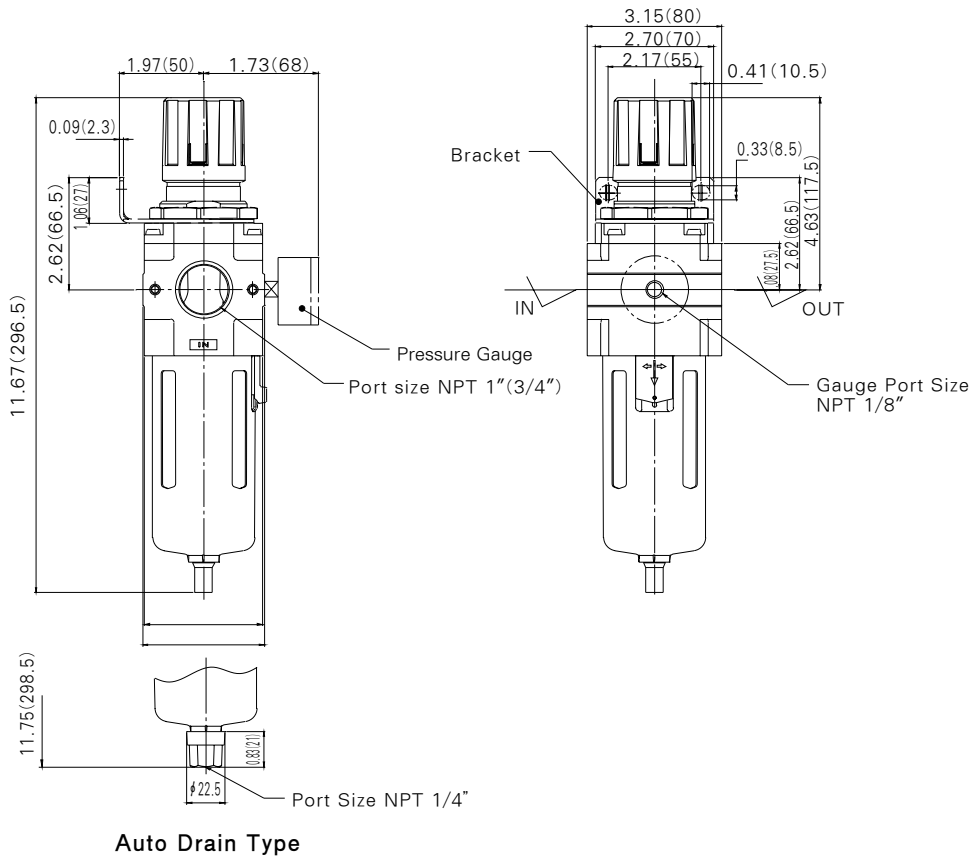
PW2000



Dimensions

(mm)

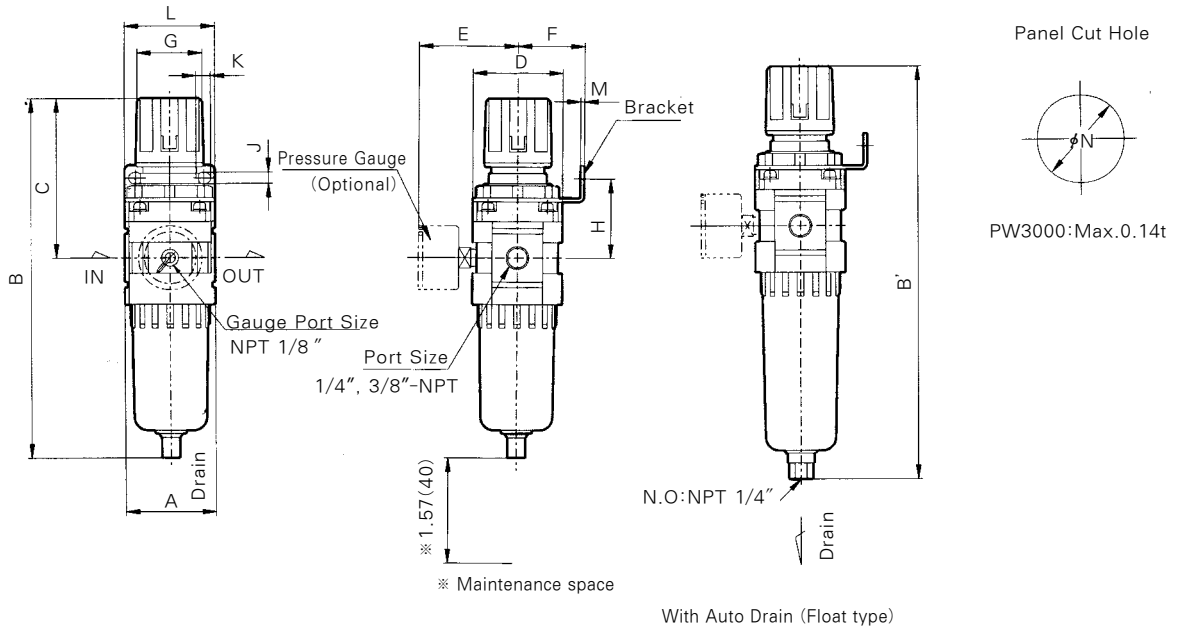
PW5000



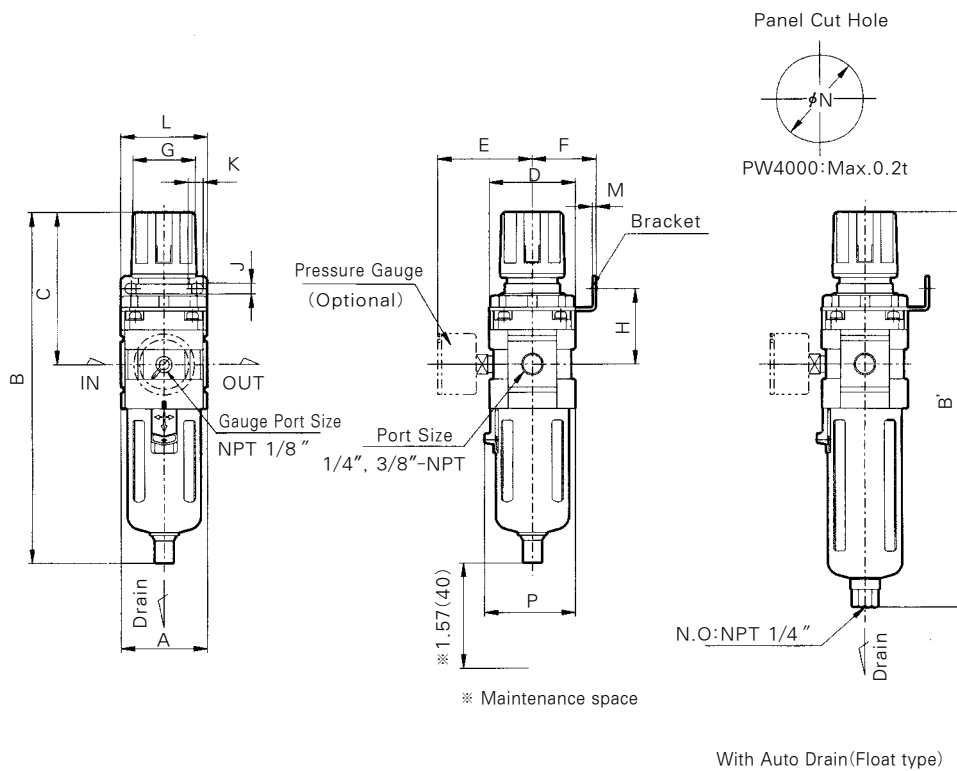
Dimensions

inch(mm)

PW3000



PW4000



inch(mm)

Model	Port Size NPT	A	B	C	D	E	F	G	H	J	K	L	M	φN	P	With Auto Drain
																Float type N.O
																B'
PW3000	1/4" · 3/8"	2.09 (53)	8.30 (211)	3.64 (92.5)	2.09 (53)	2.42 (61.5)	1.61 (41)	1.57 (40)	1.81 (46)	0.26 (6.5)	0.31 (8)	2.09 (53)	0.09 (2.3)	1.67 (42.5)	-	9.31 (236.5)
PW4000	3/8" · 1/2"	2.76 (70)	10.47 (266)	4.41 (112)	2.76 (70)	2.67 (68)	1.97 (50)	2.13 (54)	2.13 (54)	0.33 (8.5)	0.41 (10.5)	2.76 (70)	0.09 (2.3)	2.07 (52.5)	2.87 (73)	11.34 (288)

- PC
- PF
- PFH
PFU
- PR
- PL
- PW**
- SH