

# Series DS300

## Rubber Seal 3 Port Pilot Solenoid Type



- COMPACT SIZE AND LIGHT WEIGHT
- LARGE FLOW CAPACITY
- LOW POWER CONSUMPTION
- DESIGNED FOR NON-LUBRICATED SERVICE

### Symbol

Single Solenoid

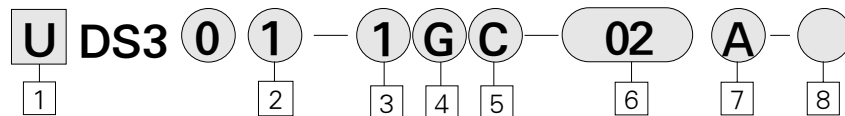
DS300-0000-  
00A(N.C)



DS300-0000-  
00B(N.O)



## How to Order



### 1 Series DS300

Blank : Metric(PT)  
U : NPT(UNF)

### 2 Body Option

1 : Body Ported Type

### 3 Voltage

1 : AC100V, 50/60Hz  
2 : AC200V, 50/60Hz  
3 : AC120V, 50/60Hz

4 : AC240V, 50/60Hz  
5 : DC24V  
6 : DC12V  
7 : DC6V  
8 : AC24V, 50/60Hz  
9 : Other

### 4 Electrical Entry/Indicator Light and Surge Suppressor

G : Grommet [Lead wire length 12 inch (300 mm)]

DZ : DIN Connector with Indicator Light and Surge Suppressor

### 5 Manual Override

Blank : Non-lock push type  
C : Knob locking type

### 6 Port Size (P, A, R Port)

01 : 1/8"  
02 : 1/4" (Standard)

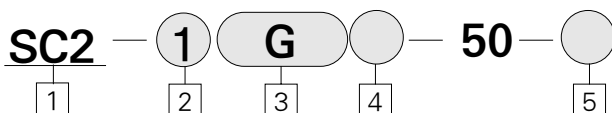
### 7 Type of Actuation

A : Normally Closed  
B : Normally Open

### 8 Special Option

Blank : Standard type  
XC16 : Copper-free

## Pilot Valve Assembly



### 1 For DS300 series Valve Ass'y

### 2 Voltage

1 : AC100V, 50/60Hz  
2 : AC200V, 50/60Hz  
3 : AC120V, 50/60Hz  
4 : AC240V, 50/50Hz  
5 : DC24V  
6 : DC12V  
7 : DC6V  
8 : AC24V, 50/60Hz  
9 : Other

### 3 Electrical Entry/Indicator

### Light and Surge Suppressor

G : Grommet (Lead wire length 12 inch)  
DZ : DIN Connector With Indicator light and Surge suppressor


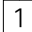
### 4 Manual override

Blank : Non-locking Push type  
C : Knob locking type

### 5 Special Option

Blank : Standard type  
XC16 : Copper-free

Din Terminal Box How to Order

TVF3130-61-2005-    


1 Symbol

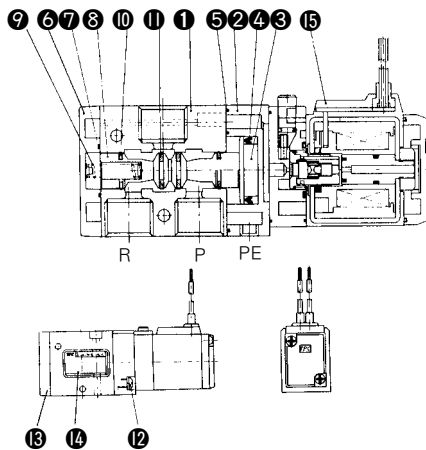
Symbol	Voltage
1	AC 100V
2	AC 200V
3	AC 120V
4	AC 240V
5	DC 24V
6	DC 12V
7	DC 6V
8	AC 24V
9	DC 100V

Specifications

Model	UDS300	
Action	Pilot Type	
Position, Port	2 Position 3 Port	
Body Options	Body Ported Type	
Fluid	Air	
Port Size (NPT)	1/8"	1/4"
Effective Orifice $\text{mm}^2(\text{Cv})$	19.2 (1.07)	22 (1.2)
Operating Pressure Range	21~128 PSI {0.15~0.9 MPa}	
Ambient and Fluid Temperature	MAX. 122°F (50°C)	
Response Time	30ms or less(At 0.5 MPa)	
MAX. Operating Frequency	5 Hz	
Lubrication	Not required	
Manual Override	Non-Lock Push Type, Knob Locking Type	
Mounting Position	Free	
Impact/Vibration Resistance	30 G/5 G (8.3~2000 Hz)	

Electrical Entry		Grommet(G)	DIN Connector(DZ)
Coil Voltage	AC(50/60Hz)	100VAC, 200VAC, 120VAC, 240VAC	
	DC	6VDC, 12VDC, 24VDC	
Allowable Voltage		-15~+10% of Rated Voltage	
Power Consumption	AC	Inrush	5.6 VA(50Hz), 5VA(60Hz)
		Holding	3.4 VA(50Hz), 2.3VA(60Hz)
		DC	1.8W/2.0W (With LED)
Indicator light and Surge	AC	LED, Varistor	
Voltage suppressor Circuit	DC	LED, Varistor	

Construction/Parts List



No.	Description	Material	Notes
1	Body	Aluminum Diecasting	Metallic Paint
2	Adapter Plate	Resin	
3	Piston Plate	Resin	
4	Piston Packing	NBR	
5	Adapter Plate Gasket	NBR	
6	End Cover	Zinc Diecasting	Black Paint
7	End Cover Gasket	NBR	
8	Spool	Aluminum NBR	
9	Spool Spring	Spring Steel	
10	Spool Packing	NBR	
11	Quad Ring	NBR	
12	+Pan Headed Screw	Carbon Steel	M4×0.7×12 l
13	+Flush Headed Screw	Carbon Steel	M3×0.5×8 l
14	Name Plate		
15	Pilot Valve Ass'y	-	

