

Series *DH*

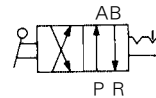
Hand Valve (4 way)



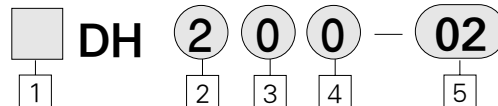
- PORTING OF NPT(PT) 1/4" , 3/8" AND 1/2"
- ALUMINUM DIE CASTING DESIGN FOR HEAVY APPLICATIONS
- DETENTED CENTER POSITION

Symbol

2 Position



How to Order



1 Thread

Blank : Rc(PT)
U : NPT

2 Body Size (Basic Size)

2 : Cv 0.4(1/4" Only)
3 : Cv 1.1(3/8" Only)
4 : Cv 3.1(1/2" Only)

3 Piping & Mounting Position

0 : Piping-Side
Mounting-Body

4 Position Symbol

0 : 3 Position
Closed Center
2 : 2 Position

5 Port Size

02 : 1/4
03 : 3/8
04 : 1/2

Model

Series	Port Size NPT	Number of Positions	Piping	Model	Effective Orifice in ² (Cv factor)	Weight lbs
				Body Ported		
DH2	1/4"	3(Closed Center)		DH200-02	0.01(0.4)	1.21
UDH2		2Position		DH202-02		
DH3	3/8"	3(Closed Center)		DH300-03	0.03(1.1)	1.98
UDH3		2Position		DH302-03		
DH4	1/2"	3(Closed Center)		DH400-04	0.09(3.1)	3.53
UDH4		2Position		DH402-03		

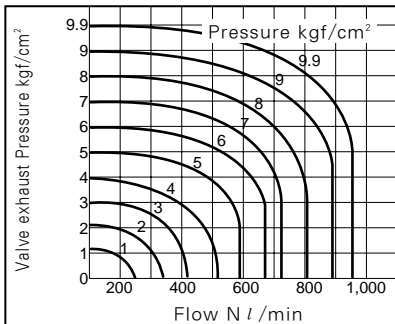
Standard Specifications

Fluid	Air
Proof Pressure	200 PSI {1.5MPa}
Max. Operating Pressure	140 PSI {990kPa}
Ambient and Operating Fluid Temperature	40~140°F (5~60℃)
Operating Angle	90°

Flow Characteristics

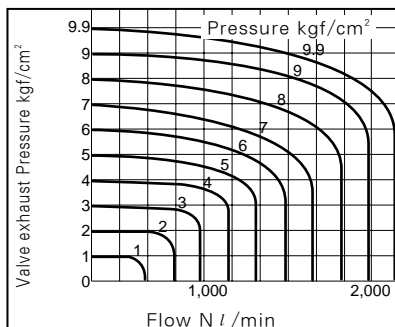
DH200

Effective area $S=7.5\text{mm}^2$



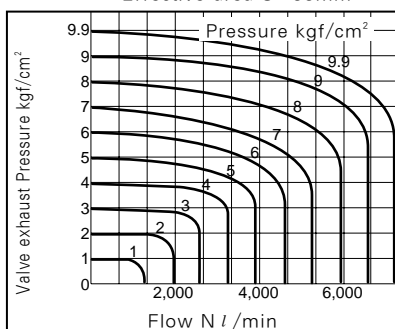
DH300

Effective area $S=20\text{mm}^2$



DH400

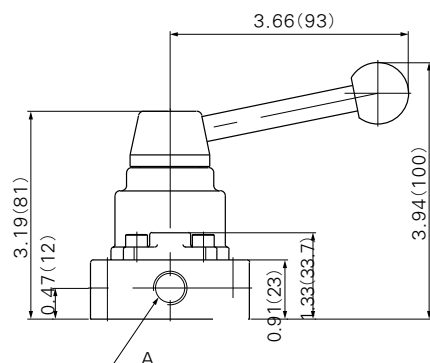
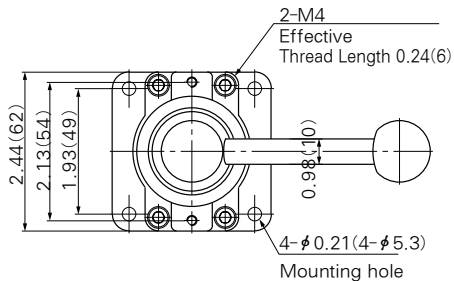
Effective area $S=55\text{mm}^2$



Dimensions

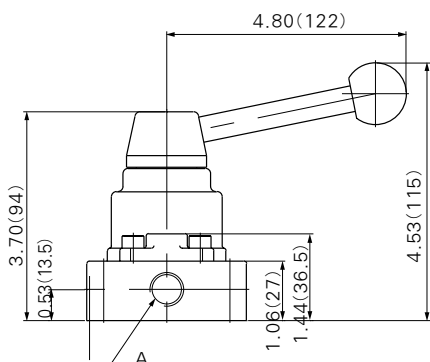
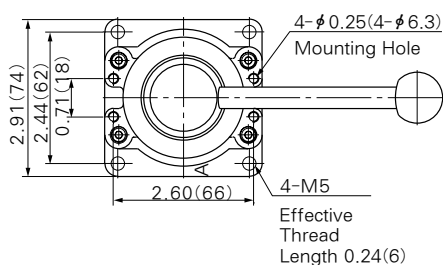
DH200-02/Side Piping

inch(mm)



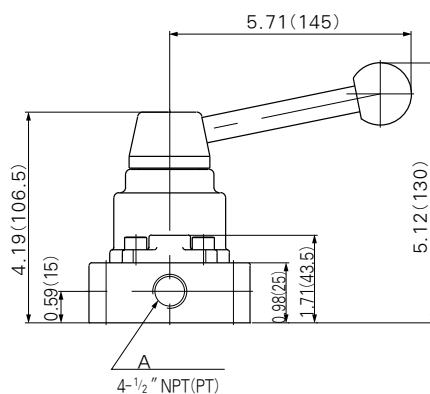
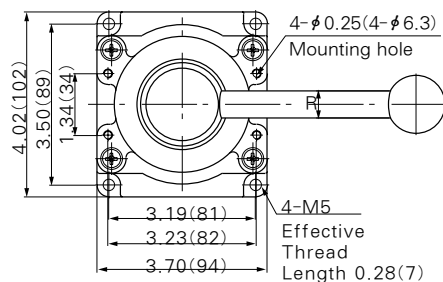
DH300-03/Side Piping

inch(mm)



DH400-04/Side Piping

inch(mm)



DV1000 · 3000 · 4000
DV2000
DS2000
DS3000
DS5000
DS6000
DX2
DV100
DS300
DW
DP300 · 3000 · 5000
DM
DH